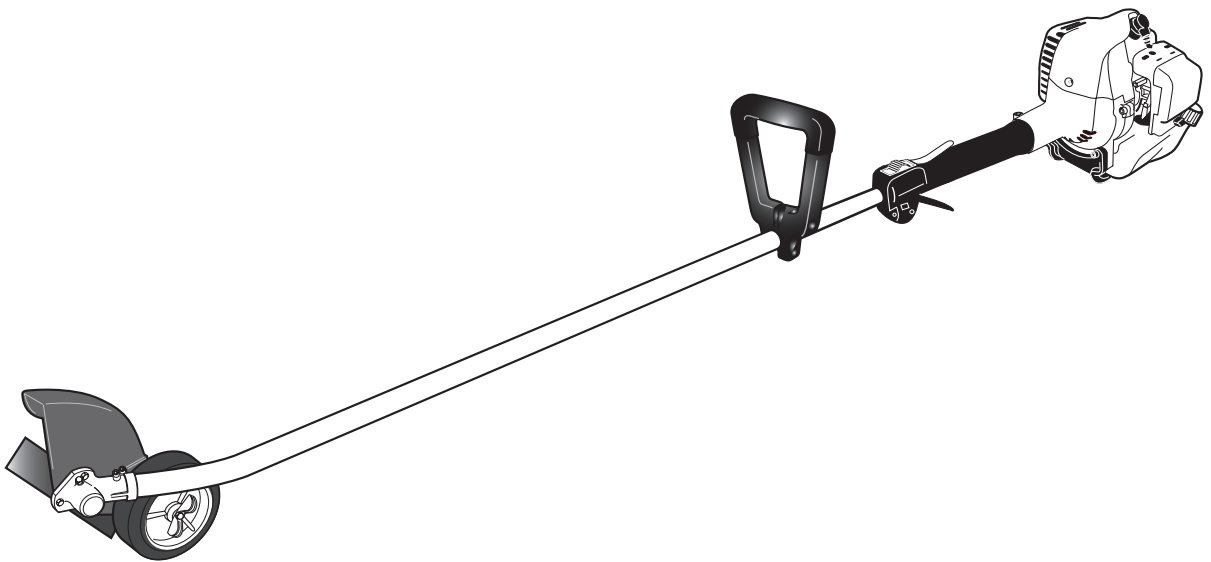


**SHINDAIWA OWNER'S/OPERATOR'S MANUAL**

# **LE242 LAWN EDGER**



**WARNING!**

Minimize the risk of injury to yourself and others! Read this manual and familiarize yourself with the contents. Always wear eye and hearing protection when operating this unit.

**shindaiwa**

Part Number 81645 Rev. 1/07

## Introduction

The Shindaiwa 242 Series hand held power equipment has been designed and built to deliver superior performance and reliability without compromise to quality, comfort, safety or durability.

Shindaiwa engines represent the leading edge of high-performance engine technology, delivering exceptionally high power with remarkably low displacement and weight. As an owner/operator, you'll soon discover for yourself why Shindaiwa is simply in a class by itself!

### IMPORTANT!

The information contained in this owner's/operator's manual describes units available at the time of publication.

Shindaiwa Inc. reserves the right to make changes to products without prior notice, and without obligation to make alterations to units previously manufactured.

## Contents

PAGE

Attention Statements .....	2
Safety Instructions .....	2
Safety Labels.....	4
Product Description.....	5
Specifications.....	5
Assembly and Adjustments.....	6
Mixing Fuel .....	7
Starting the Engine.....	8
Stopping the Engine .....	9
Adjusting Engine Idle .....	9
Checking Unit Condition.....	9
Using a Hand Held Edger .....	10
Adjusting the Cutting Depth.....	10
General Maintenance .....	11
Replacing the Edger Blade.....	14
Long Term Storage .....	14
Troubleshooting Guide .....	15
Emission System Warranty.....	17

## Attention Statements

Throughout this manual are special "Attention Statements".



### WARNING!

A statement preceded by the triangular attention symbol and the word "WARNING" contains information that should be acted upon to prevent serious bodily injury.

### CAUTION!

A statement preceded by the word "CAUTION" contains information that should be acted upon to prevent mechanical damage.

### IMPORTANT!

A statement preceded by the word "IMPORTANT" is one that possesses special significance.

### NOTE:

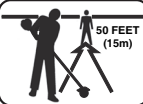
A statement preceded by the word "NOTE" contains information that is handy to know and may make your job easier.



Read and follow this operators manual. Failure to do so could result in serious injury.



Wear eye and hearing protection at all times during the operation of this unit.



Keep bystanders at least 50 feet (15 m) away during operation.



Beware of thrown or ricocheted objects.



Keep feet away from blade. Rotating blade may cause injury. Blade may continue to rotate after unit is shut off.

### IMPORTANT!

The operational procedures described in this manual are intended to help you get the most from this unit as well as to protect you and others from harm. These procedures are guidelines for safe operation under most conditions, and are not intended to replace any safety rules and/or laws that may be in force in your area. If you have questions regarding your 242 series hand held power equipment, or if you do not understand something in this manual, your Shindaiwa dealer will be glad to assist you. You may also contact Shindaiwa, Inc. at the address printed on the back of this Manual.

## Safety Instructions

### Work Safely

Shindaiwa Edgers operate at very high speeds and can do serious damage or injury if they are misused or abused. *Never allow a person without training or instruction to operate this unit!*



### WARNING!

Never make unauthorized attachment installations. Do not use attachments not approved by Shindaiwa for use on this unit.

### Stay Alert

You must be physically and mentally fit to operate this unit safely.



### WARNING!

Never operate power equipment of any kind if you are tired or if you are under the influence of alcohol, drugs, medication or any other substance that could affect your ability or judgement.



### WARNING!

The engine exhaust from this product contains chemicals known to the State of California to cause cancer, birth defects or other reproductive harm.



### WARNING!

#### Minimize the Risk of Fire

**NEVER** smoke or light fires near the engine.

**ALWAYS** stop the engine and allow it to cool before refueling. Avoid overfilling and wipe off any fuel that may have spilled.

**ALWAYS** inspect the unit for fuel leaks before each use. During each refill, check that no fuel leaks from around the fuel cap and/or fuel tank. If fuel leaks are evident, stop using the unit immediately. Fuel leaks must be repaired before using the unit.

**ALWAYS** move the unit to a place well away from a fuel storage area or other readily flammable materials before starting the engine.

**NEVER** place flammable material close to the engine muffler.

**NEVER** operate the engine without the spark arrester screen in place.

## Safety Instructions



### WARNING!

#### Use Good Judgment

**ALWAYS** wear eye protection to shield against thrown objects.

**NEVER** run the engine when transporting the unit.

**NEVER** run the engine indoors! Make sure there is always good ventilation. Fumes from engine exhaust can cause serious injury or death.

**ALWAYS** clear your work area of trash or hidden debris that could be thrown back at you or toward a bystander.

**ALWAYS** use the proper cutting attachment.

**ALWAYS** stop the engine immediately if it suddenly begins to vibrate or shake. Inspect for broken, missing or improperly installed parts or attachments.

**NEVER** use a non-Shindaiwa approved cutting attachment.

**ALWAYS** keep the unit as clean as practical. Keep it free of loose vegetation, mud, etc.

**ALWAYS** hold the unit firmly with both hands when edging, and maintain control at all times.

**ALWAYS** keep the handles clean.

**ALWAYS** disconnect the spark plug wire before performing any maintenance work.

## The Properly Equipped Operator

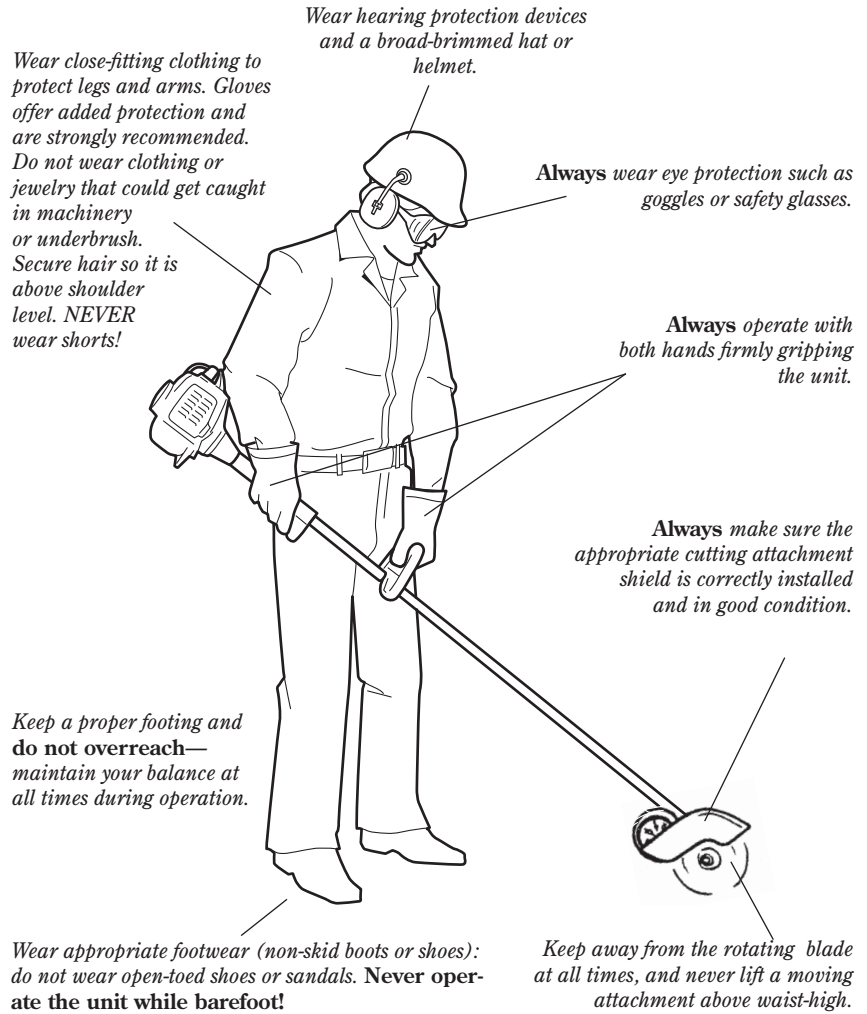


Figure 1

# Be Aware of the Working Environment

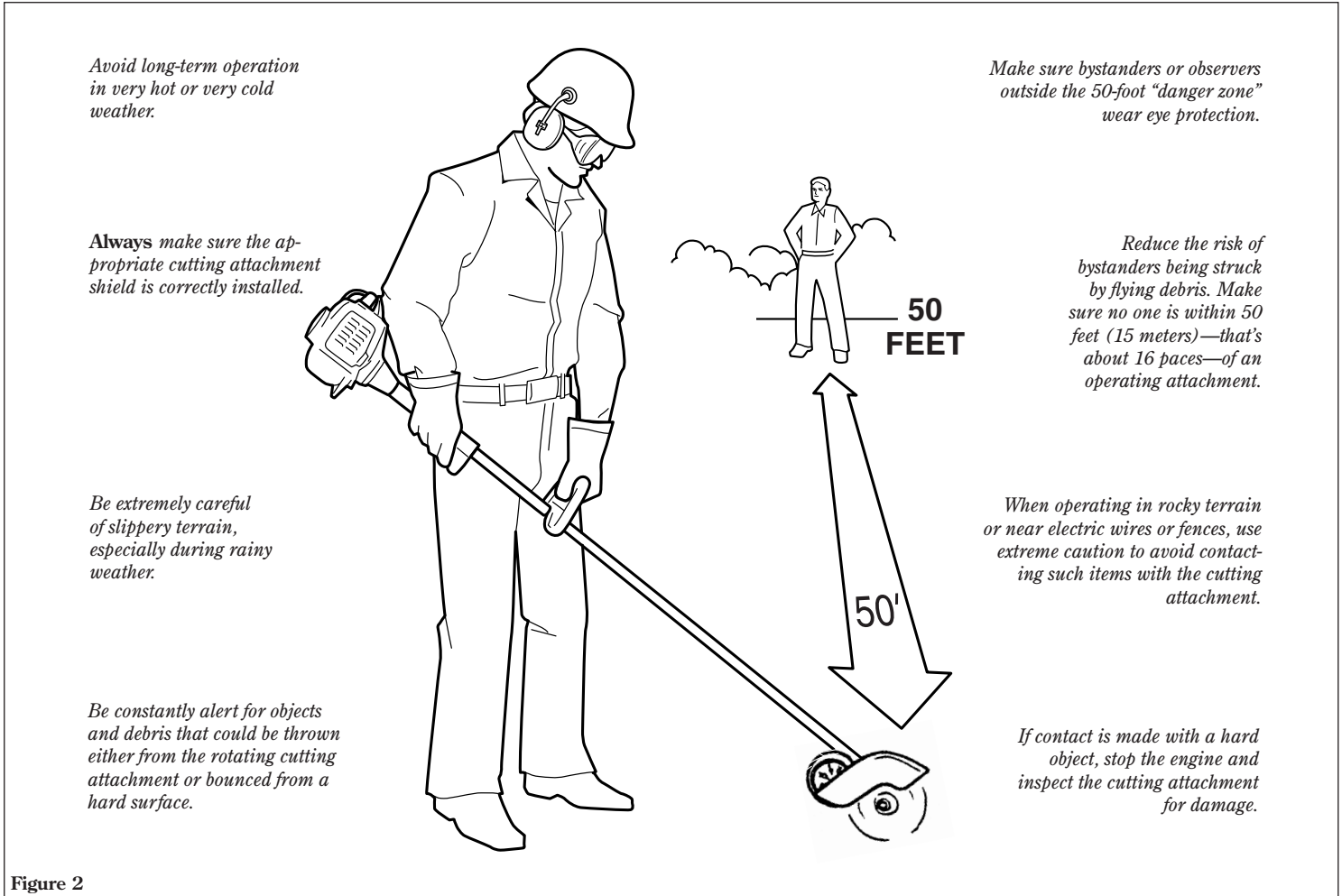


Figure 2

# Safety Labels

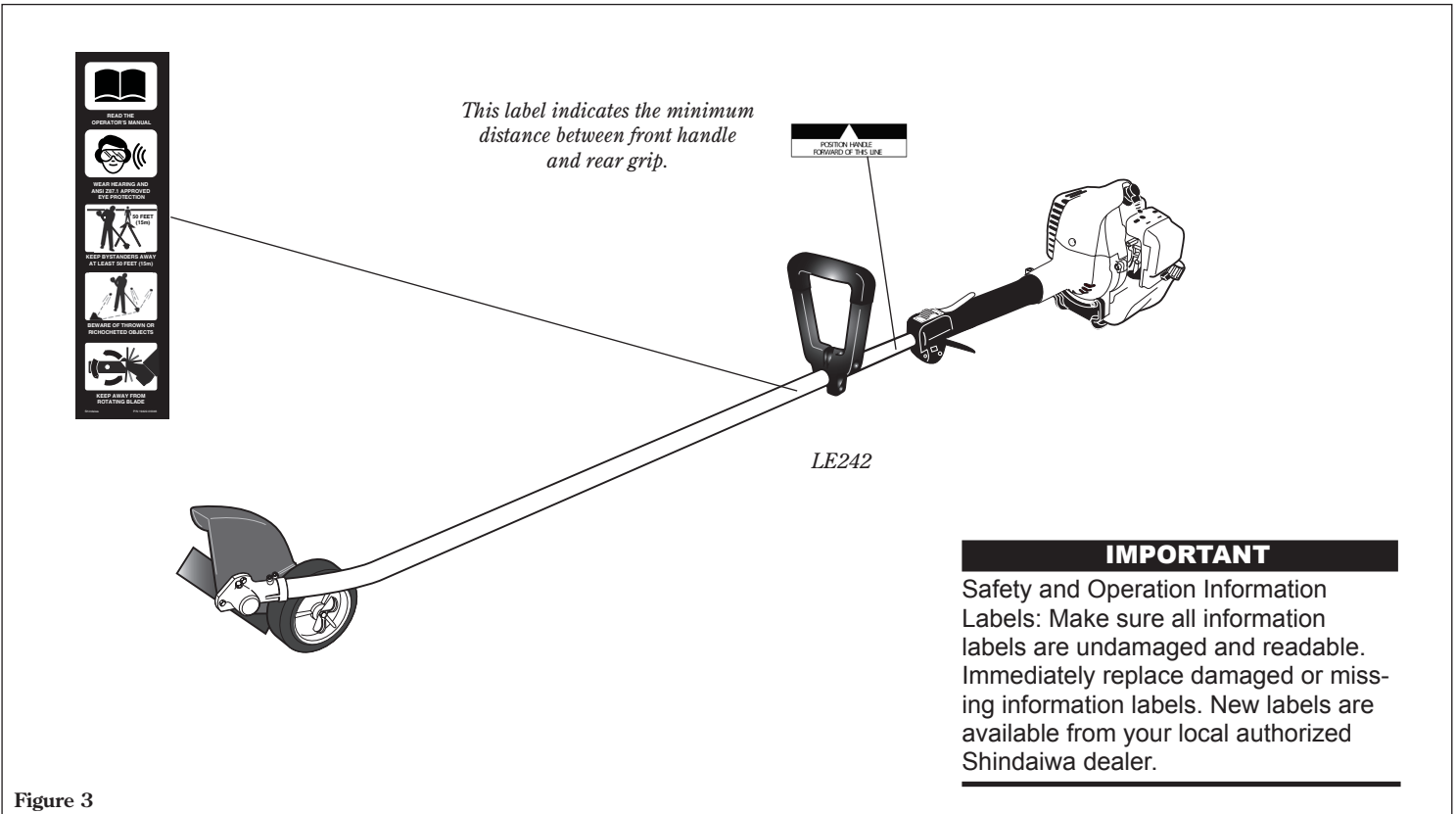


Figure 3

## Product Description

Using the accompanying illustrations as a guide, familiarize yourself with this unit and its various components. See Figure 4. Understanding your unit helps ensure top performance, long service life, and safer operation.



### WARNING!

Do not make unauthorized modifications or alterations to any of these units or their components.

### IMPORTANT!

The terms “left”, “left-hand”, and “LH”; “right”, “right-hand”, and “RH”; “front” and “rear” refer to directions as viewed by the operator during normal operation.

### Prior to Assembly

Before assembling, make sure you have all the components required for a complete unit:

- Engine and outer tube assembly with handle
- Gearcase/Debris shield assembly
- Kit containing this manual and tool kit for routine maintenance. Tool kits vary by model and may include a hex wrench, a spark plug/screwdriver combination wrench, and a scraper.

Carefully inspect all components for damage.

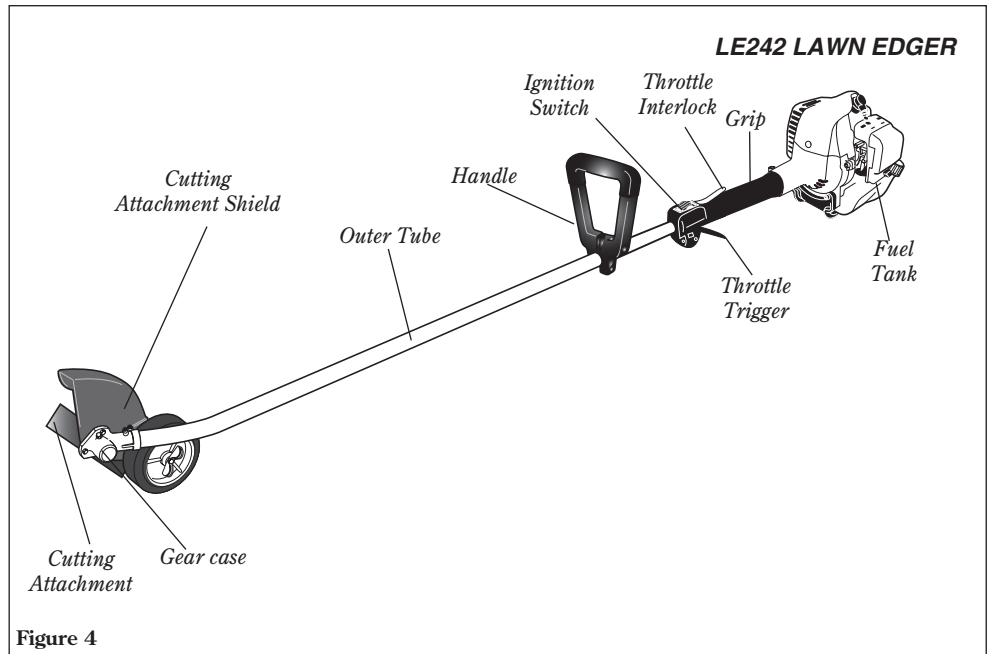


Figure 4

## Specifications

LE242 dry weight (Including attachments).....	12.8 lb./5.8 kg
Engine model.....	S242E
Engine type.....	2-cycle with catalyst
Bore x stroke.....	1.3 x 1.1 in./33 x 28 mm
Displacement.....	1.5 cu. in./ 23.9 cc
Maximum power.....	1.0 HP/0.8 kW @ 8000 rpm (min <sup>-1</sup> )
Fuel/oil ratio.....	50:1 with ISO-L-EGD or JASO FC class 2-cycle mixing oil*
Carburetor type.....	Walbro WYK, diaphragm-type
Fuel tank capacity.....	22.3 oz./670 ml
Ignition.....	One-piece electronic, transistor-controlled

Spark plug.....	NGK BPMR6A
Air cleaner type.....	Non-reversible Foam Filter Element
Starting method.....	Recoil
Stopping method.....	Slide switch
Transmission type.....	Automatic, centrifugal clutch w/bevel gear

EPA Emission Compliance Period\*\* .....Category A



\* meets or exceeds these specifications and is recommended for all Shindaiwa products.

\*\* The EPA emission compliance referred to on the emission compliance label located on the engine, indicates the number of operating hours for which the engine has been shown to meet Federal emission requirements. Category C = 50 hours (Moderate), B = 125 hours (Intermediate) and A = 300 hours (Extended).

Specifications are subject to change without notice.

## Assembly and Adjustments

### Install Gearcase Assembly

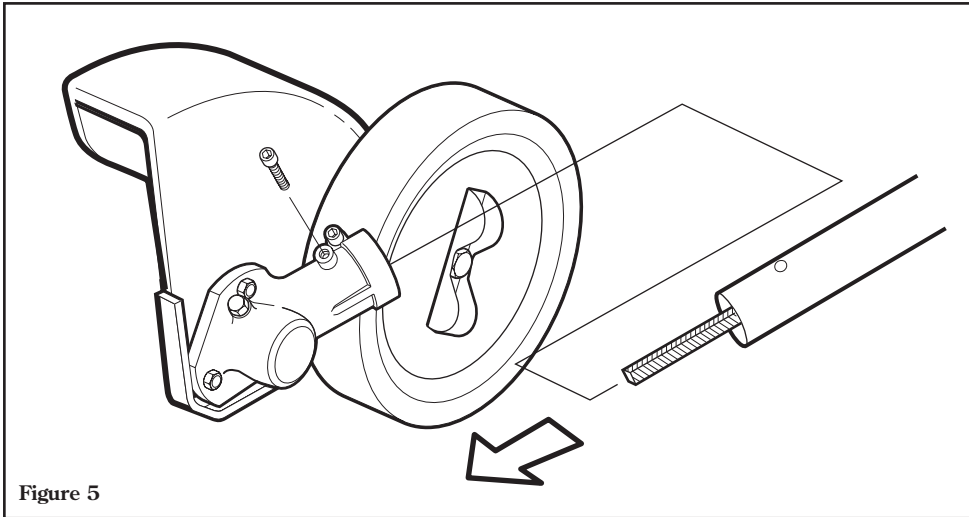


Figure 5

1. Loosen gearcase clamp screw.
2. Remove the gearcase index screw.
3. Slide the gearcase oriented as shown in Figure 5 onto the shaft tube insuring that the flex drive is engaged in the gearcase.

#### NOTE:

It may be necessary to pull the flex cable out from the shaft tube, engage into the gearcase and then slide the assembly onto the shaft tube.

4. Reinstall the index screw and tighten securely.
5. Tighten the clamp screw and torque to 52 – 69 inch pounds.

## Assembly and Adjustments

### Adjust Throttle Lever Free Play

The throttle lever free play should be approximately 3/16-1/4 inch (4-6 mm). See Figure 6. Make sure that the throttle lever operates smoothly without binding. If it becomes necessary to adjust the lever free play, follow the procedures and illustrations that follow.

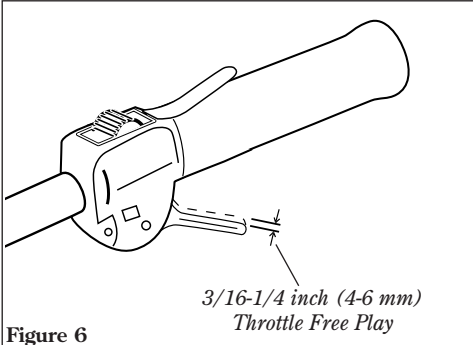


Figure 6

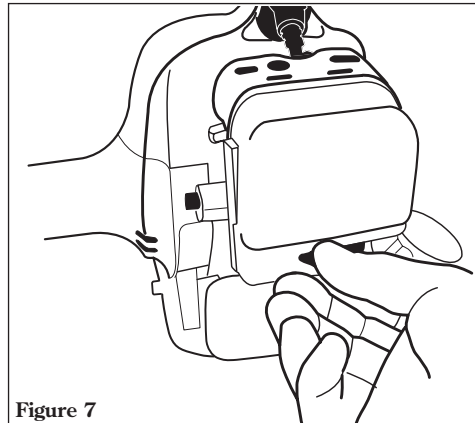


Figure 7

1. Loosen the air cleaner cover knob and remove the air cleaner cover. See Figure 7.
2. Loosen the lock nut on the cable adjuster. See Figure 8.

3. Turn the cable adjuster in or out as required to obtain proper free play 3/16-1/4 inch (4-6 mm). See Figure 8.
4. Tighten the locknut.

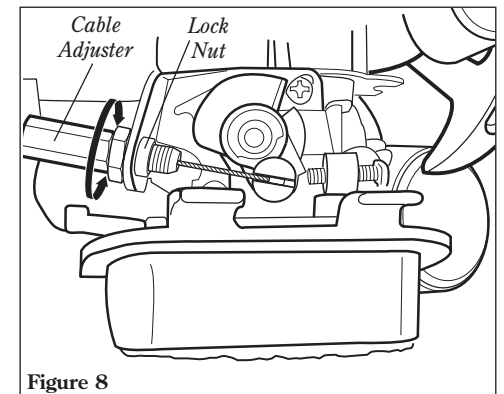


Figure 8

5. Reinstall the air cleaner cover.

## Mixing Fuel

### CAUTION!

Some types of gasoline contain alcohol as an oxygenate. Oxygenated gasoline may cause increased operating temperatures. Under certain conditions, alcohol-based gasoline may also reduce the lubricating qualities of some 2-cycle mixing oils. Never use any type of gasoline containing more than 10% alcohol by volume! Generic oils and some outboard oils may not be intended for use in high-performance 2-cycle engines, and should never be used in your Shindaiwa engine.

### CAUTION!


This engine is designed to operate on a 50:1 mixture consisting of unleaded gasoline and ISO-L-EGD or JASO FC class 2-cycle mixing oil only. Use of non-approved mixing oils can lead to excessive carbon deposits.

- Use only fresh, clean unleaded gasoline with a pump octane of 87 or higher.
- Mix all fuel with a 2-cycle air-cooled mixing oil that meets or exceeds ISO-L-EGD and/or JASO FC classified oils at 50:1 gasoline/oil ratio.


### Examples of 50:1 mixing quantities

- 1 gallon of gasoline to 2.6 oz. mixing oil
- 5 liters of gasoline to 100 ml. mixing oil

### IMPORTANT!

Mix only enough fuel for your immediate needs! If fuel must be stored longer than 30 days and  oil with fuel stabilizer is not used, it should first be treated with a fuel stabilizer such as STA-BIL™.

shindaiwa

 Oil is a registered JASO FC classified oil and also meets or exceeds ISO-L-EGD performance requirements. Shindaiwa One is recommended for use in all Shindaiwa low emissions engines. Shindaiwa One also includes a fuel stabilizer.

## Filling the Fuel Tank



### WARNING!

#### Minimize the risk of fire!

- STOP engine before refueling.
- ALWAYS allow the engine to cool before refueling!
- Wipe all spilled fuel and move the engine at least 10 feet (3 meters) from the fueling point and source before restarting!
- NEVER start or operate this unit if there is a fuel leak.
- NEVER start or operate this unit if the carburetor, fuel lines, fuel tank and/or fuel tank cap are damaged.
- NEVER smoke or light any fires near the engine or fuel source!
- NEVER place any flammable material near the engine muffler!
- NEVER operate the engine without the muffler and spark arrester in good working condition.

1. Place the edger on a flat, level surface.
2. Clear any dirt or other debris from around the fuel filler cap.
3. Remove the fuel cap, and fill the tank with clean, fresh fuel.
4. Reinstall the fuel filler cap and tighten firmly.

# Starting the Engine

## IMPORTANT!!

Engine ignition is controlled by a two position switch mounted on the throttle housing labeled, "I" for ON or START and "O" for OFF or STOP.

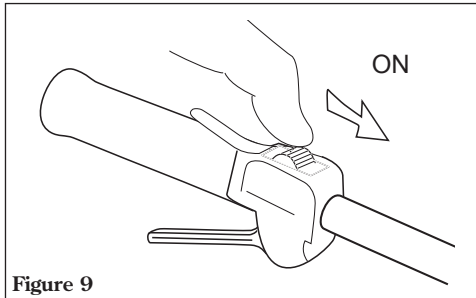


Figure 9

1. Slide the ignition switch to the "ON" position. See Figure 9.

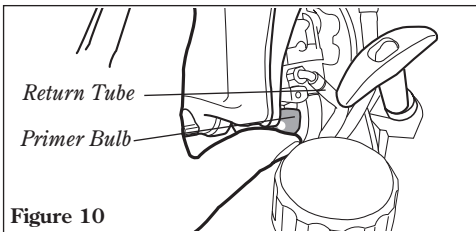


Figure 10

2. Press the primer bulb until fuel can be seen flowing in the transparent return tube.

## IMPORTANT!

The primer system only pushes fuel through the carburetor. Repeatedly pressing the primer bulb will not flood the engine with fuel.

3. Set the choke lever to the CLOSED position if engine is cold.

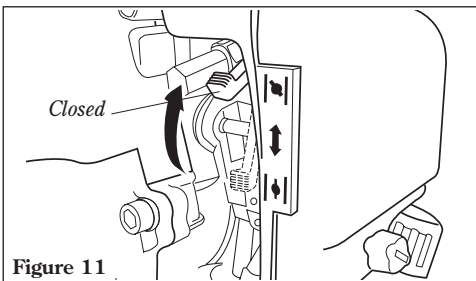


Figure 11

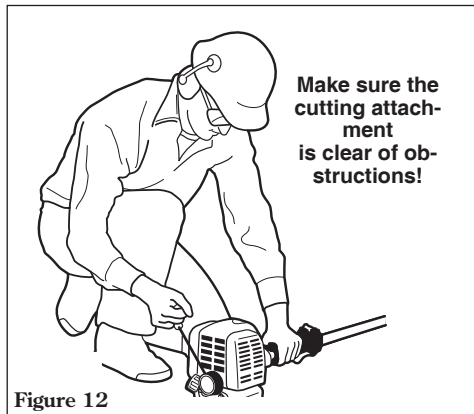


Figure 12

Make sure the cutting attachment is clear of obstructions!

4. While holding the outer tube firmly with left hand. Use your other hand to slowly pull the recoil starter until resistance is felt, then pull quickly to start the engine.

## CAUTION!

Do not pull the recoil starter to the end of the rope travel. Pulling the recoil starter to the end of the rope travel can damage the starter.

## WARNING!

The cutting attachment may rotate when the engine is started!

5. When the engine starts, slowly move the choke lever to the "OPEN" position. See Figure 13. (If the engine stops after the initial start, close the choke and restart.)

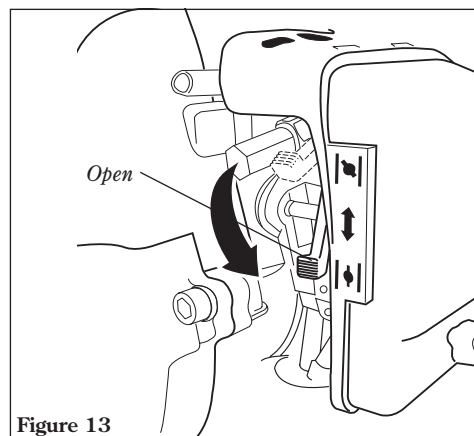


Figure 13



## WARNING!

Never start the engine from the operating position.

## IMPORTANT!

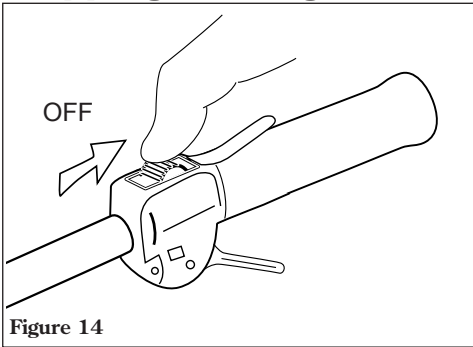
If the engine fails to start after several attempts with the choke in the closed position, the engine may be flooded with fuel. If flooding is suspected, move the choke lever to the open position and repeatedly pull the recoil starter to remove excess fuel and start the engine. If the engine still fails to start, refer to the troubleshooting section of this manual.

## When the Engine Starts...

- After the engine starts, allow the engine to warm up at idle 2 or 3 minutes before operating the unit.
- Advancing the throttle makes the cutting attachment turn faster; releasing the throttle permits the attachment to stop turning. If the cutting attachment continues to rotate when the engine returns to idle, carburetor idle speed should be adjusted (see "Adjusting Engine Idle" on next page).

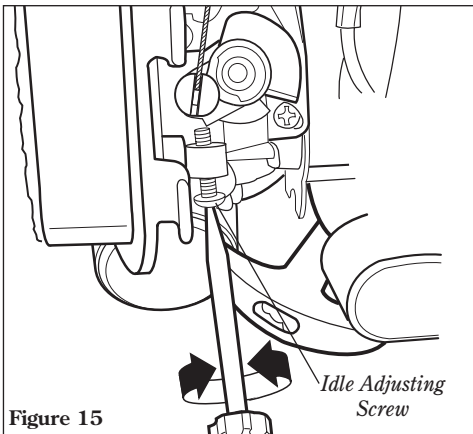


## Stopping the Engine



Idle the engine briefly before stopping (about 2 minutes), then slide the ignition switch to the "O" (Engine OFF) position.

## Adjusting Engine Idle



The engine must return to idle speed whenever the throttle lever is released. Idle speed is adjustable, and must be set low enough to permit the engine clutch to disengage the cutting attachment.

### Idle Speed Adjustment



#### WARNING!

The cutting attachment must NEVER rotate at engine idle! If the idle speed cannot be adjusted by the procedure described here, return the trimmer to your Shindaiwa dealer for inspection.

1. Place the trimmer on the ground, then start the engine, and then allow it to idle 2-3 minutes until warm.
2. If the attachment rotates when the engine is at idle, reduce the idle speed by turning the idle adjustment screw counter-clockwise. See Figure 15.
3. If a tachometer is available, the engine idle speed should be final adjusted to 3,000 ( $\pm 250$ ) rpm ( $\text{min}^{-1}$ ).
4. Carburetor fuel mixture adjustments are preset at factory and cannot be serviced in the field.

## Checking Unit Condition

**NEVER** operate the unit with the cutting attachment shield or other protective devices removed!



#### WARNING!

A cutting attachment shield or other protective device is no guarantee of protection against ricochet. **YOU MUST ALWAYS GUARD AGAINST FLYING DEBRIS!**

Use only authorized Shindaiwa parts and accessories with your Shindaiwa trimmer. Do not make modifications to this unit without written approval from Shindaiwa, Inc.

**ALWAYS** make sure the cutting attachment is properly installed and firmly tightened before operation.

**NEVER** use a cracked or warped cutting attachment: replace it with a serviceable one.

**ALWAYS** make sure the cutting attachment fits properly into the appropriate attachment holder. If a properly installed attachment vibrates, replace the attachment with new one and re-check.

**ALWAYS** stop the engine immediately and

check for damage if you strike a foreign object or if the unit becomes tangled. Do not operate with broken or damaged equipment.

**NEVER** allow the engine to run at high RPM without a load. Doing so could damage the engine.

**NEVER** operate a unit with worn or damaged fasteners or attachment holders.

## Using a Hand-held Edger

### Guidelines for Operating the Edger

- Before edging, make sure the area is soft enough so the blade does not bog down. If necessary, water the area before edging.
- Remove debris and other obstacles that could be thrown by the rotating blade.
- Plan your work so the edger blade is always on your right-hand side.
- Begin each pass by positioning the unit over the work, and with the engine running at about half-throttle. Slowly lower the blade to the ground while applying full throttle. See Figure 16.
- Do not move the edger into the work so fast that the engine or blade bogs down.

#### CAUTION!

Low-speed edging can lead to premature clutch failure.

- Do not pull the unit backward over the ground with the engine running. Doing so will tend to bury the blade.

Regular and frequent use of the edger will make a neater lawn, and a frequently trimmed edge will be easier to maintain.

## Adjusting the Cutting Depth

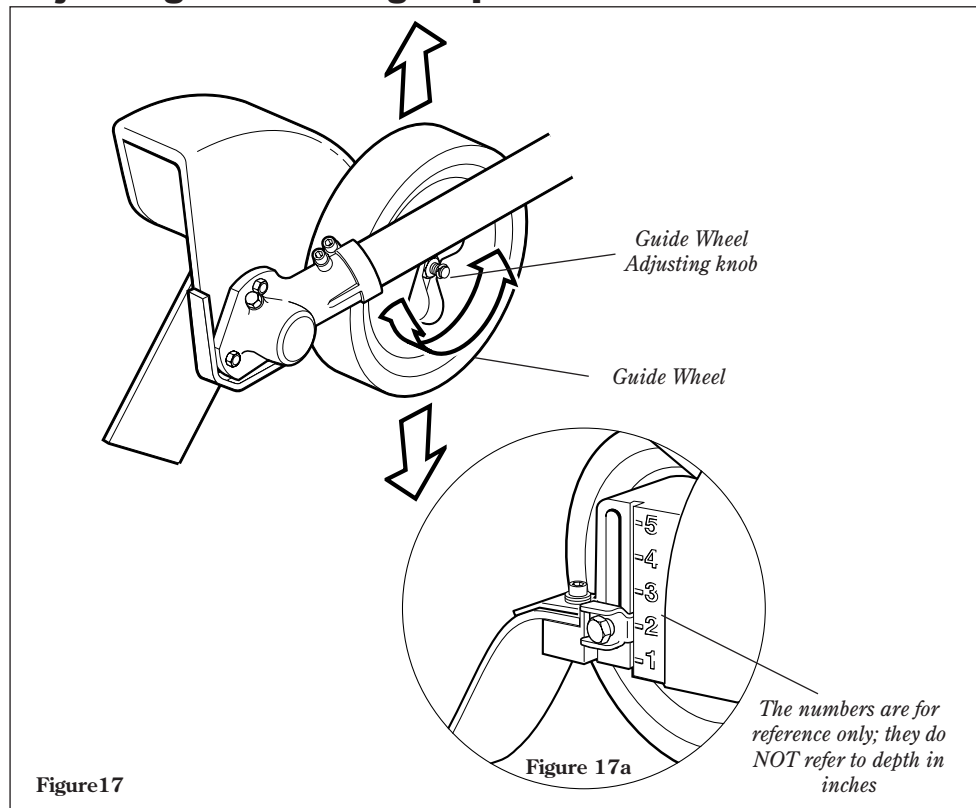


Figure 16



#### WARNING!

- Wear eye protection, long pants, and boots when operating this machine!
- Whenever you strike a hard object with the blade, always stop the edger and carefully inspect the blade for damage. NEVER OPERATE THE EDGER WITH A DAMAGED BLADE!

The edger's depth of cut is controlled by a combination of operator height, blade wear, and the positioning of the edger's guide wheel.

#### To adjust blade height:

1. Loosen the guide wheel adjusting knob. See Figure 17.
2. Raise or lower the guide wheel to the desired setting. See Figure 17a.
3. Tighten the guide wheel adjusting knob firmly. See Figure 17.

#### WARNING!

Never adjust the guide wheel while the engine is running.

#### NOTE

Guide wheel adjustment is also required to compensate for blade wear.

#### WARNING!

Use only Shindaiwa replacement edger blades.

## General Maintenance

### IMPORTANT!

MAINTENANCE, REPLACEMENT OR REPAIR OF EMISSION CONTROL DEVICES AND SYSTEMS MAY BE PERFORMED BY ANY REPAIR ESTABLISHMENT OR INDIVIDUAL; HOWEVER, WARRANTY REPAIRS MUST BE PERFORMED BY A DEALER OR SERVICE CENTER AUTHORIZED BY SHINDAIWA CORP. THE USE OF PARTS THAT ARE NOT EQUIVALENT IN PERFORMANCE AND DURABILITY TO AUTHORIZED PARTS MAY IMPAIR THE EFFECTIVENESS OF THE EMISSION CONTROL SYSTEM AND MAY HAVE A BEARING ON THE OUTCOME OF A WARRANTY CLAIM.



### WARNING!

Before performing any maintenance, repair or cleaning work on the unit, make sure the engine and cutting attachment are completely stopped. Disconnect the spark plug wire before performing service or maintenance work.



### WARNING!

Non-standard parts may not operate properly with your unit and may cause damage and lead to personal injury.



### WARNING!

■ Never repair a damaged blade by welding, straightening, or by modifying its shape. An altered blade may break during operation, resulting in serious personal injury.

### NOTE:

Using non-standard replacement parts could invalidate your Shindaiwa warranty.

### Muffler

This unit must never be operated with a faulty or missing spark arrester or muffler. Make sure the muffler is well secured and in good condition. A worn or damaged muffler is a fire hazard and may also cause hearing loss.

### Spark Plug

Keep the spark plug and wire connections tight and clean.

### Fasteners

Make sure nuts, bolts, and screws (except carburetor adjusting screws) are tight.

■ Blades are **not** interchangeable between Shindaiwa edgers and trimmer/brushcutter models. Operating any unit with a blade or attachment not approved for that unit can be hazardous and may cause serious injury.

## Daily Maintenance

Prior to each work day, perform the following:

■ Remove dirt or debris from the engine, check the cooling fins and air cleaner for clogging and clean them as necessary.

■ Carefully remove any accumulation of dirt or debris from the muffler or the fuel tank. Dirt build-up in these areas could cause engine overheating, induce premature wear, or create a fire hazard.

■ Check for loose or missing screws or components. Make sure the cutting attachment is securely fastened.

■ Check the entire unit for leaking fuel or grease.

## 10-Hour Maintenance

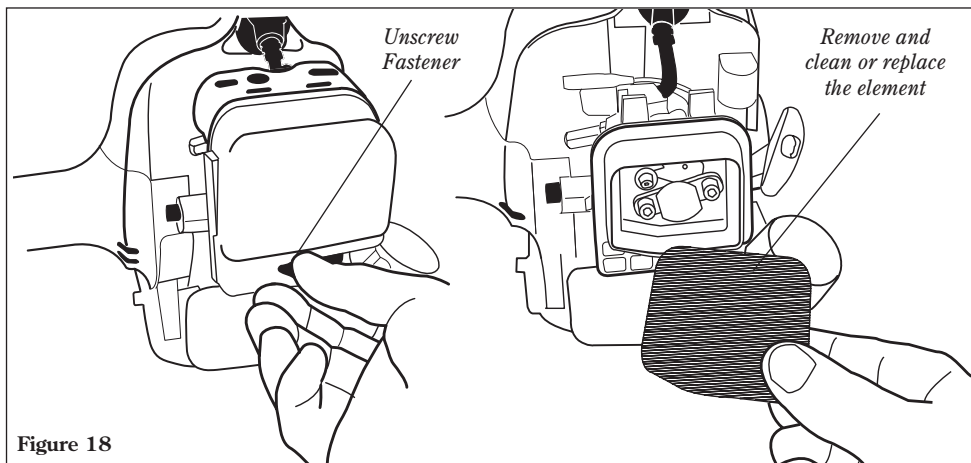


Figure 18

Every 10 hours of operation (more frequently in dusty or dirty conditions):

■ Remove the air cleaner element. See Figure 18. Clean or replace as necessary. To clean element: wash it thoroughly in soap and water. Let it dry before reinstalling the element.

### CAUTION!

Do not operate the unit if the air cleaner or element is damaged, or if the element is wet.

## 10/15-Hour Maintenance

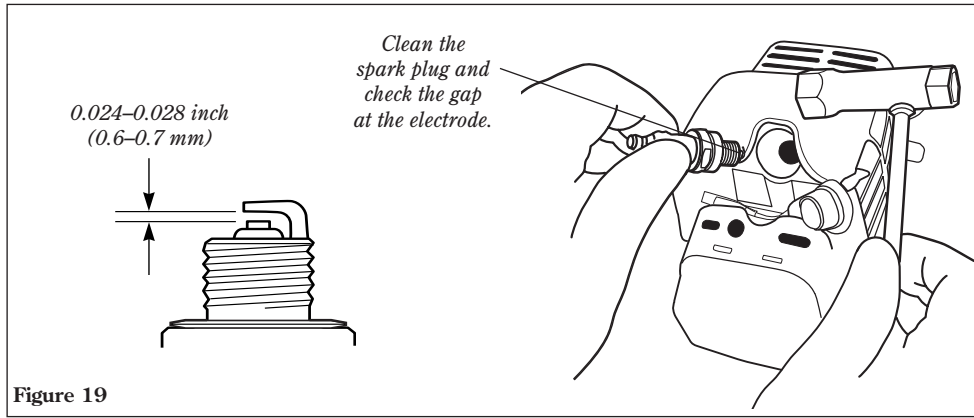


Figure 19

### Every 10 to 15 hours of operation:

- Remove and clean the spark plug. Adjust the spark plug electrode gap to 0.024–0.028 inch (0.6–0.7 mm). If the spark plug must be replaced, use only an NGK BPMR6A or equivalent resistor type spark plug of the correct heat range. See Figure 19.

#### NOTE:

The NGK BPMR6A also meets the requirements for electro magnetic compliance (EMC).

#### CAUTION!

Before removing the spark plug, clean the area around the plug to prevent dirt and debris from getting into the engine's internal parts.

## 50-Hour Maintenance

### Every 50 hours of operation (more frequently in dusty or dirty conditions):

- Remove the cylinder cover and clean grass and dirt from the cover and cylinder fins.
- Remove the cutting attachment, cutting attachment holder and gear shaft collar. Remove the filler plug from the side of the gearcase and press new grease into the gearcase until grease is pushed out. Use only lithium-base grease such as Shindaiwa Gear Case Lubricant or equivalent. See figure 20.

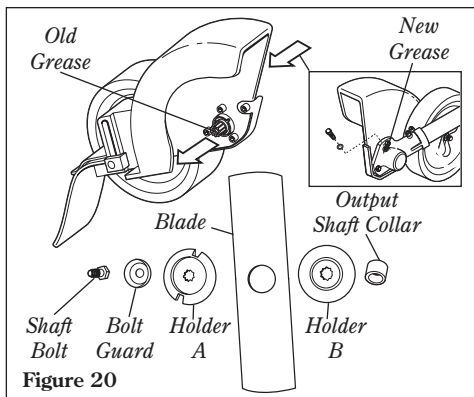


Figure 20

- Use a hooked wire to extract the fuel filter from inside the fuel tank. See figure 21.

#### CAUTION!

Make sure you do not pierce the fuel line with the end of the hooked wire. The line is delicate and can be damaged easily.

Remove and replace the filter element. Before reinstalling the new filter element, inspect the condition of all the fuel system components (fuel pick-up line, fuel return line, tank vent line, tank vent, fuel cap and fuel tank). If damage, splitting or deterioration is noted, the unit should be removed from service until it can be inspected or repaired by a Shindaiwa-trained service technician.

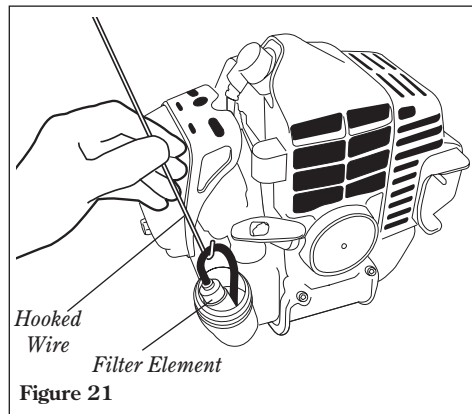


Figure 21

### Lubricate the Flexible Shaft.

Lack of lubrication will cause rapid wear to the flexible shaft and also to the shaft tube liner, resulting in increased vibration and greatly decreased service life. Remove and lubricate the flexible shaft as follows:

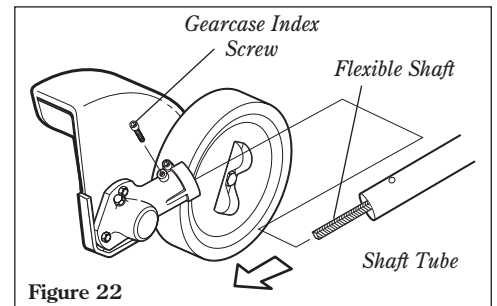


Figure 22

- Loosen the gearcase clamp screw.
- Remove the gearcase index screw.
- Slide the gearcase and shield assembly from the shaft tube.
- Pull the flexible shaft from the shaft tube assembly, and clean the shaft thoroughly in solvent.
- Inspect the shaft carefully, and replace if worn or damaged. If flexible shaft is worn and needs replacement, liner should also be replaced.
- Coat the entire length of the shaft with Shindaiwa Premium Gearcase Lube (or equivalent), and reinstall the shaft in the shaft tube assembly.

#### NOTE:

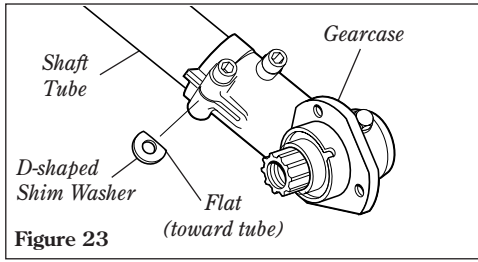
For extended shaft life, the flexible cable should be reversed end-for-end during the reinstallation process.

- Insert the flexible shaft into the female end of the gearcase pinion.
- Install the gearcase on the shaft tube in the reverse order of removal.

## 50-Hour Maintenance (continued)

### CAUTION!

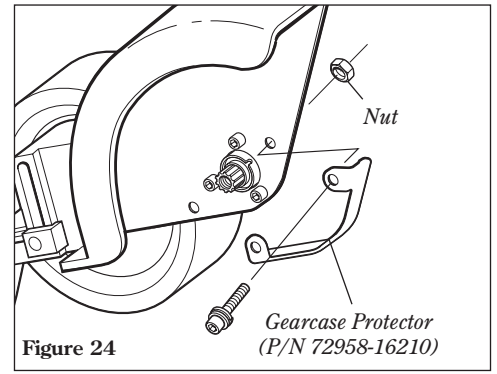
The D-shaped shim washer must be positioned with its flat edge toward the shaft tube.



### Inspect the Gearcase Protector

The metal gearcase protector (p/n 72958-16210) is installed to protect the gearcase flange from damage when working close to sidewalks or other abrasive surfaces, and should be routinely inspected for damage or excessive wear.

When replacing the protector, inspect to be sure that both of the protector mounting screws are firmly tightened and each screw is locked in place with a nut as shown.



## 135-hour Maintenance

Every 135 hours of operation, remove and clean the muffler.



### WARNING!

Never operate this trimmer with a damaged or missing muffler or spark arrester! Operating with missing or damaged exhaust components is a fire hazard, and can also damage your hearing!

1. Remove the spark plug boot.
2. With a 3 mm hex wrench remove the 1 muffler cover and 3 engine cover screws and the engine cover. See Figure 25.
3. With a Phillips type screwdriver remove the 5 screws holding the spark arrester screen and cover to the muffler. See Figure 25.
4. Remove the screen and clean it with a stiff bristle brush.
5. With a 4 mm hex wrench remove the 3 muffler bolts and the muffler. See Figure 25.
6. Inspect the cylinder exhaust port for any carbon buildup.
7. Gently tap the muffler on a wood surface to dislodge any loose carbon.

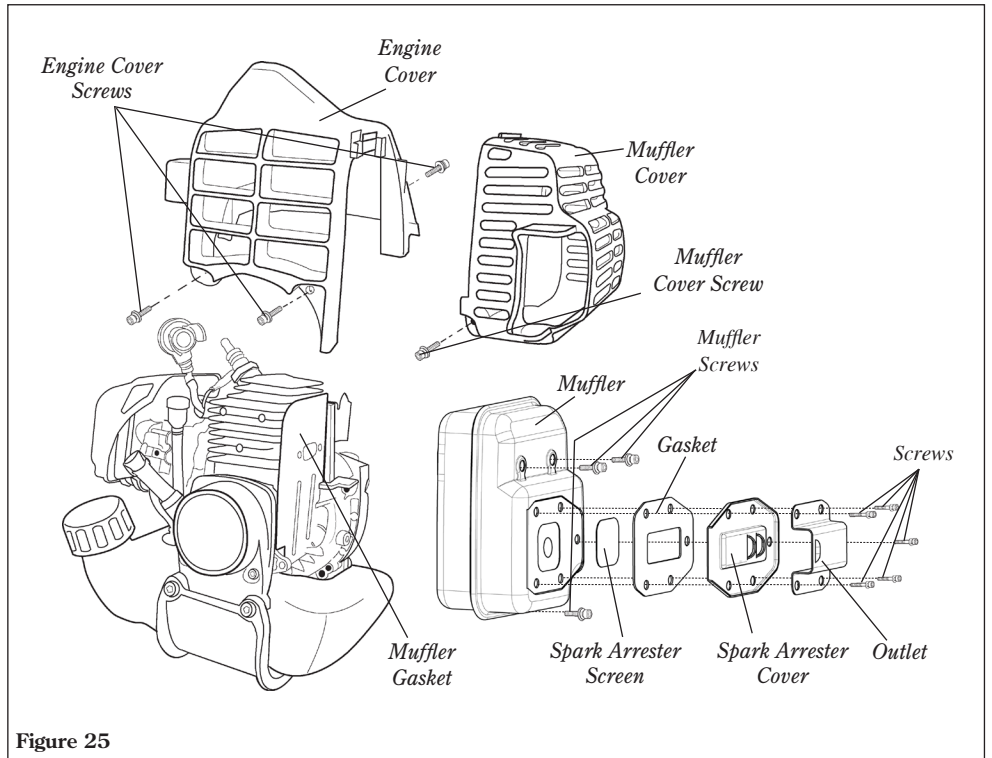


Figure 25

### IMPORTANT!

If you note excessive carbon buildup, consult with an authorized Shindaiwa servicing dealer.

8. Reassemble the spark arrester, muffler and engine cover in the reverse order of disassembly.

## Replacing the Edger Blade



### WARNING!

Always wear gloves when handling the edger blade.

1. Align the hole in holder A with the matching hole in the gearcase and then use the hex wrench to temporarily lock the output shaft.
2. Use the combination wrench to loosen the shaft bolt then remove the output shaft bolt, Holder B and the edger blade from the gearcase.

3. Mount the edger blade and holder B onto the shaft, and then install the bolt guard and shaft bolt (turn bolt counter-clockwise to install). See Figure 26.
4. Align the hole in holder A with the matching hole in the gearcase, and then use the hex wrench to temporarily lock the output shaft. See Figure 26.
5. Use the combination wrench to firmly tighten the shaft bolt. Remove the hex wrench. See Figure 26.

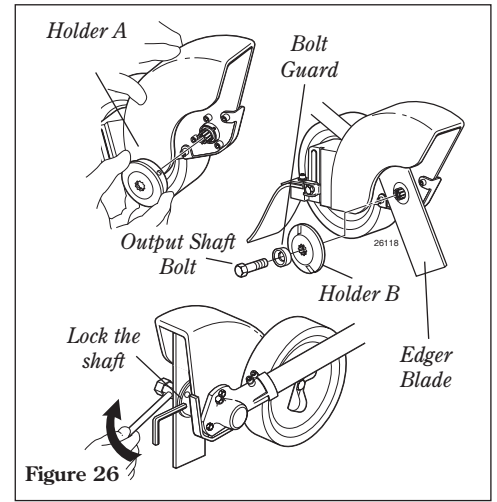


Figure 26

## Long Term Storage

Whenever the unit will not be used for 30 days or longer, use the following procedures to prepare it for storage:

- Clean external parts thoroughly.
- Drain all the fuel from the fuel tank.

### IMPORTANT!

All stored fuels should be stabilized with a fuel stabilizer such as STA-BIL™, i<sup>ONE</sup> oil with fuel stabilizer is not used.

- Remove the remaining fuel from the fuel lines and carburetor.

### CAUTION!

Gasoline stored in the carburetor for extended periods can cause hard starting and could also lead to increased service and maintenance cost.

1. Prime the primer bulb until no more fuel is passing through.
2. Start and run the engine until it stops running.
3. Repeat steps 1 and 2 until the engine will no longer start.

- Remove the spark plug and pour about 1/4 ounce of 2-cycle mixing oil into the cylinder through the spark plug hole. Slowly pull the recoil starter 2 or 3 times so oil will evenly coat the interior of the engine. Reinstall the spark plug.
- Before storing the unit, repair or replace any worn or damaged parts.
- Remove the air cleaner element from the carburetor and clean it thoroughly with soap and water. Let dry and reassemble the element.
- Store the unit in a clean, dust-free area.

# Troubleshooting Guide

## ENGINE DOES NOT START

What To Check	Possible Cause	Remedy
Does the engine crank?	<b>NO</b> Faulty recoil starter. Fluid in the crankcase. Internal damage.	Consult with an authorized servicing dealer.
<b>YES</b> Good compression?	<b>NO</b> Loose spark plug. Excess wear on cylinder, piston, rings.	Tighten and re-test. Consult with an authorized servicing dealer.
<b>YES</b> Does the tank contain fresh fuel of the proper grade?	<b>NO</b> Fuel incorrect, stale or contaminated; mixture incorrect.	Refill with fresh, clean unleaded gasoline with a pump octane of 87 or higher mixed with a 2-cycle air cooled mixing oil that meets or exceeds ISO-L-EGD and/or JASO FC classified oils at 50:1 gasoline/oil ratio.
<b>YES</b> Is fuel visible and moving in the return line when priming?	<b>NO</b> Check for clogged fuel filter and/or vent. Priming pump not functioning properly.	Replace fuel filter or vent as required; restart. Consult with an authorized servicing dealer.
<b>YES</b> Is there spark at the spark plug wire terminal?	<b>NO</b> The ignition switch is in "O" (OFF) position. Shorted ignition ground. Faulty ignition unit.	Move switch to "I" (ON) position and restart. Consult with an authorized servicing dealer.
<b>YES</b> Check the spark plug.	If the plug is wet, excess fuel may be in the cylinder. The plug is fouled or improperly gapped. The plug is damaged internally or of the wrong size.	Crank the engine with the plug removed, reinstall the plug, and restart. Clean and regap the plug to 0.024 - 0.028 inch (0.6 - 0.7 mm). Restart. Replace the plug with an NGK BPMR6A or equivalent resistor type spark plug of the correct heat range. Set spark plug electrode gap to 0.024-0.028 inch (0.6-0.7 mm).

## LOW POWER OUTPUT

What To Check	Possible Cause	Remedy
Is the engine overheating?	Operator is overworking the unit. Carburetor mixture is too lean. Improper fuel ratio. Fan, fan cover, cylinder fins dirty or damaged. Carbon deposits on the piston or in the muffler.	Cut at a slower rate. Consult with an authorized servicing dealer. Refill with fresh, clean unleaded gasoline with a pump octane of 87 or higher mixed with a 2-cycle air cooled mixing oil that meets or exceeds ISO-L-EGD and/or JASO FC classified oils at 50:1 gasoline/oil ratio. Clean, repair or replace as necessary. Consult with an authorized servicing dealer.
Engine is rough at all speeds. May also have black smoke and/or unburned fuel at the exhaust.	Clogged air cleaner element. Loose or damaged spark plug. Air leakage or clogged fuel line. Water in the fuel. Piston seizure. Faulty carburetor and/or diaphragm.	Service the air cleaner element. Tighten or replace. Repair or replace filter and/or fuel line. Replace the fuel. See page 7. Consult with an authorized servicing dealer.
Engine is knocking.	Overheating condition. Improper fuel. Carbon deposits in the combustion chamber.	See above. Check fuel octane rating; check for presence of alcohol in the fuel (pg. 7). Refuel as necessary. Consult with an authorized servicing dealer.

# Troubleshooting Guide (continued)

## ADDITIONAL PROBLEMS

Symptom	Possible Cause	Remedy
Poor acceleration.	Clogged air filter.	Clean the air filter.
	Clogged fuel filter.	Replace the fuel filter.
	Lean fuel/air mixture.	Consult with an authorized servicing dealer.
	Idle speed set too low.	Adjust: 3,000 ( $\pm 250$ ) RPM ( $\text{min}^{-1}$ ).
Engine stops abruptly.	Switch turned off.	Reset the switch and restart.
	Fuel tank empty.	Refuel. See page 7.
	Clogged fuel filter.	Replace fuel filter.
	Water in the fuel.	Drain; replace with clean fuel. See page 7.
	Shorted spark plug or loose terminal.	Clean and replace spark plug, tighten the terminal.
	Ignition failure.	Replace the ignition unit.
Engine difficult to shut off.	Piston seizure.	Consult with an authorized servicing dealer.
	Ground (stop) wire is disconnected or switch is defective.	Test and replace as required.
	Overheating due to incorrect spark plug.	Idle engine until cool. Clean and regap the plug to 0.024 - 0.028 inch (0.6 - 0.7 mm). Correct plug: NGK BPMR6A or equivalent resistor type spark plug of the correct range.
Cutting attachment rotates at engine idle.	Overheated engine.	Idle engine until cool.
	Engine idle too high.	Set idle: 3,000 ( $\pm 250$ ) RPM ( $\text{min}^{-1}$ ).
	Broken clutch spring or worn clutch spring boss.	Replace spring/shoes as required, check idle speed.
Engine will not idle down.	Loose attachment holder.	Inspect and re-tighten holders securely.
	Engine idle set too high.	Set idle: 3,000 ( $\pm 250$ ) RPM ( $\text{min}^{-1}$ ).
	Engine has an air leak.	Consult with an authorized servicing dealer.

## ADDITIONAL PROBLEMS

Symptom	Possible Cause	Remedy
Excessive vibration.	Warped or damaged cutting attachment.	Inspect and replace attachment as required.
	Loose gearcase.	Tighten gearcase securely.
	Bent main shaft/worn or damaged liner.	Inspect and replace as necessary.
Cutting attachment will not rotate.	Shaft not installed in powerhead or gearcase.	Inspect and reinstall as required.
	Broken shaft.	Consult with an authorized servicing dealer.
	Damaged gearcase.	



*The following statement only applies to United States and its territories*

## **Shindaiwa Corporation**

### **Federal Emission Design And Defect Limited Warranty Utility And Lawn And Garden Engines**

Shindaiwa Corporation warrants to the initial purchaser and each subsequent owner, that this utility equipment engine (herein engine) is designed, built and equipped to conform at the time of initial sale, to all applicable regulations of the U.S. Environmental Protection Agency (EPA), and that the engine is free of defects in materials and workmanship that would cause this engine to fail to conform with EPA regulations during its warranty period. This emission warranty is applicable in all States, except the State of California.

For parts listed under PARTS COVERED, the dealer authorized by Shindaiwa Corporation will, at no cost to you, make the necessary diagnosis, repair, or replacement of any defective emission-related component to ensure that the engine complies with applicable U.S. EPA regulations.

#### **MANUFACTURERS WARRANTY COVERAGE**

When sold within the U.S., this engine's emission control system is warranted for a period of two (2) years from the date this product is first delivered to the original retail purchaser.

#### **OWNER'S WARRANTY RESPONSIBILITIES**

As the engine owner, you are responsible for the performance of the required maintenance listed in your owner's manual. Shindaiwa Corporation recommends that you retain all receipts covering maintenance on your engine, but Shindaiwa Corporation cannot deny a warranty claim solely for the lack of receipts or for your failure to ensure the performance of all scheduled maintenance.

As the engine owner, you should however be aware that Shindaiwa Corporation may deny your warranty coverage if your engine or a part has failed due to abuse, neglect, improper maintenance or unapproved modifications.

You are responsible for presenting your engine to the nearest dealer authorized by Shindaiwa Corporation when a problem exists.

If your Shindaiwa Dealer is unable to answer questions regarding your warranty rights and responsibilities, you should then contact your Shindaiwa Distributor.

For the name and telephone number of the Shindaiwa Distributor in your area, please call Shindaiwa Inc. at (503) 692-3070 between the hours of 8:00 AM and 5:00 PM Pacific Standard Time.

#### **PARTS COVERED**

Listed below are the parts covered by the Federal Emission Design and Defect Warranty. Some parts listed below may require scheduled maintenance and are warranted up to the first scheduled replacement of that part. The warranted parts include:

1. Carburetor Internal Components
  - Valve Assembly-throttle, Jet, Metering Diaphragm
2. Ignition System Components
  - Ignition Coil
  - Flywheel Rotor

The emission control system for your particular Shindaiwa engine may also include certain related hoses and connectors.

#### **LIMITATIONS**

The Federal Emission Design and Defect Warranty shall not cover any of the following:

- (a) conditions resulting from tampering, misuse, improper adjustment (unless they were made by the dealer or service center authorized by Shindaiwa Corporation during a warranty repair), alteration, accident, failure to use the recommended fuel and oil, or not performing required maintenance services,
- (b) the replacement parts used for required maintenance services,
- (c) consequential parts used for required maintenance services,
- (d) diagnosis and inspection fees that do not result in eligible warranty service being performed, and
- (e) any non-authorized replacement part, or malfunction of authorized parts due to use of non-authorized parts.

#### **MAINTENANCE AND REPAIR REQUIREMENTS**

You are responsible for the proper use and maintenance of the engine. You should keep all receipts and maintenance records covering the performance of regular maintenance in the event questions arise. These receipts and maintenance records should be transferred to each subsequent owner of the engine. Shindaiwa Corporation reserves the right to deny warranty coverage if the owner has not properly maintained the engine. Shindaiwa Corporation will not deny warranty repairs, however, solely because of the lack of repair, maintenance or failure to keep maintenance records.

MAINTENANCE, REPLACEMENT OR REPAIR OF EMISSION CONTROL DEVICES AND SYSTEMS MAY BE PERFORMED BY ANY REPAIR ESTABLISHMENT OR INDIVIDUAL; HOWEVER, WARRANTY REPAIRS MUST BE PERFORMED BY A DEALER OR SERVICE CENTER AUTHORIZED BY SHINDAIWA CORPORATION THE USE OF PARTS THAT ARE NOT EQUIVALENT IN PERFORMANCE AND DURABILITY TO AUTHORIZED PARTS MAY IMPAIR THE EFFECTIVENESS OF THE EMISSION CONTROL SYSTEM AND MAY HAVE A BEARING ON THE OUTCOME OF A WARRANTY CLAIM.

If other than the parts authorized by Shindaiwa Corporation are used for maintenance replacements or for the repair of components affecting emission control, you should assure yourself that such parts are warranted by their manufacturer to be equivalent to the parts authorized by Shindaiwa Corporation in their performance and durability.

#### **OBTAINING WARRANTY SERVICE**

All repairs qualifying under this limited warranty must be performed by a dealer authorized by Shindaiwa Corporation

If any emission-related part is found defective during the warranty period, it is your responsibility to present the product to an authorized Shindaiwa dealer. Bring your sales receipts showing the date of purchase for this engine. The dealer authorized by Shindaiwa Corporation will perform the necessary repairs or adjustments within a reasonable amount of time and furnish you with a copy of the repair order. All parts and accessories replaced under this warranty become the property of Shindaiwa Corporation

To locate an authorized Shindaiwa dealer near you, contact your Shindaiwa Distributor. For the name and telephone number of the Shindaiwa Distributor in your area, please call Shindaiwa Inc. at (503) 692-3070 between the hours of 8:00 AM and 5:00 PM Pacific Standard Time.

#### **THIS WARRANTY IS ADMINISTERED BY**

Shindaiwa Inc.  
11975 S.W. Herman Rd.  
Tualatin OR. 97062  
(503) 692-3070





Shindaiwa Inc.  
11975 S.W. Herman Rd.  
Tualatin, Oregon 97062 USA  
Teléfono: 503 692-3070  
Fax: 503 692-6696  
www.shindaiwa.com

Shindaiwa Corporation  
Head Office:  
6-2-11, Ozuka-Nishi  
Asaminami-Ku, Hiroshima  
731-3167, Japan  
Teléfono: 81-82-849-2220  
Fax: 81-82-849-2481

©2007 Shindaiwa, Inc.  
Despida el Número 81645  
Revisión 1/07  
Shindaiwa es una marca  
registrada registrada de  
Shindaiwa, Inc.  
Especificaciones sujetas a  
cambio sin previo aviso.

Lined area for notes

# Shindaiwa Corporation Garantía limitada de defectos y diseño de emisiones federales Motores de uso general y para parques y jardines

(b) Los repuestos usados para los servicios de mantenimiento

(c) Partes consecuentes utilizadas para efectuar los servicios de mantenimiento requeridos,

(d) Cuotas de diagnóstico e inspección que no resulten en servicios cubiertos por la garantía,

(e) Todo repuesto no autorizado o la falla de partes autorizadas que pudieran deberse al uso de partes no autorizadas.

## REQUISITOS DE MANTENIMIENTO Y REPARACIÓN

Usted es responsable del uso y mantenimiento correctos del motor. Usted deberá conservar todos los comprobantes y registros de

mantenimiento que cubran la realización de mantenimiento regular en caso de que surjan preguntas. Estos comprobantes y los registros de mantenimiento deberán ser transferidos a cada propietario

subsiguiente del motor. Shindaiwa Corporation se reserva el derecho a negar la cobertura de garantía si el propietario no ha mantenido correctamente el motor. Shindaiwa Corporation, sin embargo, no negará reparaciones bajo garantía por el solo hecho de no haberse efectuado mantenimiento.

EL MANTENIMIENTO, REEMPLAZO O REPARACIÓN DE DISPOSITIVOS Y SISTEMAS DE CONTROL DE EMISIONES PUEDE SER REALIZADO POR CUALQUIER ESTABLECIMIENTO O PERSONA DEDICADOS A ELLO; SIN EMBARGO, LAS REPARACIONES CUBIERTAS POR LA GARANTIA DEBEN SER LLEVADAS A CABO POR UN DISTRIBUIDOR O CENTRO DE SERVICIO AUTORIZADO POR SHINDAIWA CORPORATION EL EMPLEO DE PIEZAS QUE NO SON EQUIVALENTES EN RENDIMIENTO Y DURABILIDAD A LAS PIEZAS AUTORIZADAS PUEDE REDUCIR LA EFECTIVIDAD DEL SISTEMA DE CONTROL DE EMISIONES Y PUEDE AFECTAR EL RESULTADO DE UNA RECLAMACION DE GARANTIA.

Si se utilizaran piezas no autorizadas por Shindaiwa Corporation para reemplazos por mantenimiento o reparación de componentes que afecte el control de emisiones, se deberá asegurar que dichas piezas estén garantizadas por el fabricante como equivalentes a las piezas autorizadas por Shindaiwa Corporation en lo relativo al rendimiento y durabilidad.

## SOLICITUDES DE SERVICIO DE GARANTIA

Toda reparación realizada conforme a los términos de esta garantía limitada deberá ser llevada a cabo por un distribuidor autorizado por Shindaiwa Corporation.

Si cualquier pieza vinculada con las emisiones es encontrada defectuosa durante el período de garantía, es su responsabilidad presentar el producto a un distribuidor autorizado de Shindaiwa.

Presente sus comprobantes de venta en los que aparezca la fecha de compra del motor. El distribuidor autorizado de Shindaiwa Corporation llevará a cabo las reparaciones o ajustes necesarios en un lapso razonable, suministrándole una copia de dicha orden de reparación.

Todas las piezas y accesorios reemplazados bajo esta garantía pasarán a ser propiedad de Shindaiwa Corporation.

Para localizar a un agente de servicio Shindaiwa más cercano a usted, favor de ponerse en contacto con su distribuidor Shindaiwa. Para obtener el nombre y el número telefónico del distribuidor de Shindaiwa en su localidad, comuníquese con Shindaiwa Inc., al (503) 692-3070 de 8:00 a.m. a 5:00 p.m., hora del Pacífico.

## ESTA GARANTIA ES ADMINISTRADA POR:

Shindaiwa Inc.

11975 S.W. Herman Rd.

Tualatin OR 97062

(503) 692-3070

Shindaiwa Corporation garantiza al comprador inicial y a cada propietario siguiente, que este motor para equipos de uso general (de aquí en adelante motor) está diseñado, fabricado y equipado para cumplir, en el momento de la venta inicial, con todas los reglamentos vigentes de la Administración de Protección Ambiental de EE.UU. (EPA) y que no tiene defectos materiales ni de mano de obra que pudieran hacer que el motor no cumpla con las reglamentaciones de la EPA durante el período de vigencia de la garantía. Esta garantía sobre normas de emisión rige para todos los estados, excepto para el Estado de California.

Para las piezas listadas en PIEZAS CUBIERTAS, el Distribuidor autorizado por Shindaiwa Corporation efectuará, sin costo para el propietario, los diagnósticos, reparaciones o reemplazos necesarios de cualquier componente defectuoso en relación con las emisiones para asegurar que el motor cumpla con las reglamentaciones de la EPA de EE.UU. aplicables.

## COBERTURA DE LA GARANTIA DEL FABRICANTE

Cuando este equipo se vende en EE.UU., el sistema de control de emisiones del mismo está garantizado por un período de 2 (dos) años a partir de la fecha en que el producto haya sido entregado por primera vez al comprador minorista original.

## RESPONSABILIDADES DEL PROPIETARIO RESPECTO DE LA GARANTIA

Como propietario del motor, usted es responsable de la realización del mantenimiento requerido listado en su manual del propietario. Shindaiwa Corporation le recomienda conservar todos los comprobantes que cubran el mantenimiento de su motor, pero Shindaiwa Corporation no puede negar una reclamación de garantía exclusivamente debido a la falta de comprobantes o porque usted no pueda asegurar la realización de todos los mantenimientos programados.

Como propietario del motor, usted deberá sin embargo estar enterado de que Shindaiwa Corporation podrá negarle cobertura de garantía si el motor o alguna pieza ha fallado debido a uso abusivo, negligencia, mantenimiento inadecuado o modificaciones no autorizadas. Usted es responsable de la presentación del motor al distribuidor autorizado de Shindaiwa Corporation más cercano cuando exista algún problema.

Si el distribuidor Shindaiwa no puede responder su pregunta con respecto a sus derechos y responsabilidades de garantía, deberá entonce comunicarse con su distribuidor regional de Shindaiwa.

Para obtener el nombre y el número telefónico del distribuidor de Shindaiwa en su localidad, comuníquese con Shindaiwa Inc., al (503) 692-3070 de 8:00 a.m. a 5:00 p.m., hora del Pacífico.

## PIEZAS CUBIERTAS

A continuación se listan las piezas cubiertas por la garantía de diseño federal de emisiones y defectos. Algunas partes mencionadas en esta garantía pueden requerir mantenimiento periódico y están garantizadas hasta el primer reemplazo programado de las mismas. Las partes garantizadas incluyen:

1. Componentes internos del carburador
- Armado y medición del chorro y el diatragma
2. Componentes del sistema de encendido
- Bobina de encendido
- Rotor del volante

El sistema de control de emisiones del motor Shindaiwa puede también incluir ciertas mangueras y conexiones afines.

## LIMITACIONES

La garantía por diseño federal de emisiones y defectos no cubrirá nada de lo siguiente:

- (a) Condiciones que resulten de una intervención no autorizada, un mal uso, un ajuste inapropiado (a menos de que los hubieran efectuado un distribuidor o un centro de servicio autorizado de Shindaiwa Corporation, en el curso de una reparación de garantía), una alteración, accidente, omisión en el uso del combustible y aceite recomendados o de una omisión en el cumplimiento de los servicios de mantenimiento requeridos,

**PROBLEMAS ADICIONALES**

**Guía Diagnóstico (continuación)**

**Sintoma**

Aceleración deficiente.

Filtro de aire obstruido.

**Remedio**

Limpie el elemento del filtro de aire.

**Sintoma**

El motor se apaga abruptamente.

Filtro de combustible obstruido.  
La mezcla de combustible/aire es muy pobre.  
Marcha mínima ajustada muy baja.

Limpiar el filtro de combustible.  
Consulte con su agente de servicio autorizado.  
Ajuste: a 3,000 RPM (±250) rpm (min<sup>-1</sup>).  
Fije el interruptor y vuelva a arrancar.

El interruptor está en la posición de apagado.  
El tanque de combustible está vacío.

Vuelva a llenar. Consulte página 7.  
Cambie el filtro de combustible.

Filtro de combustible obstruido.  
Agua en el combustible.

Cambie el filtro de combustible.  
Drene; cambie con combustible limpio.

Bujía defectuosa o terminal flojo.  
Falla en el sistema de encendido.

Limpie y cambie la bujía: Apriete el terminal.  
Reemplace el sistema de encendido.

Pistón trabado.

Consulte con su agente de servicio autorizado.

Se hace difícil apagar el motor.

La conexión a tierra está desconectada, o el interruptor está defectuoso.

Pruebe y reemplace como sea requerido.

Sobrecalentamiento debido a bujía incorrecta.

Ponga el motor en marcha mínima hasta que enfrie. Limpie y fije la holgura de la bujía a 0.024 – 0.028 pulgadas (0.6 – 0.7 mm).

Bujía correcta: NGK BPMFR6A o su equivalente con resistencia al calor correcta.

Motor sobrecalentado.

Marcha mínima hasta que enfrie.

La parte superior del motor se está ensuciendo y engrasando.

La tapa de la válvula está goteando.

Consulte con su agente de servicio autorizado.

El accesorio de corte gira con el motor en marcha mínima.

Resorte del embrague está quebrado o el resorte patrón del embrague está gastado.

Cambie los resortes/zapatillas como sea necesario, revise la marcha mínima.

El soporte del accesorio está flojo.

Inspeccione y apriete seguramente los soportes.

El motor no baja a marcha mínima.

Marcha mínima ajustada muy alta.

Fije la marcha mínima: 3,000 rpm (±250) rpm (min<sup>-1</sup>).

Vibración excesiva.

El accesorio está dañado o doblado.  
La caja de cambios está floja.

Inspeccione y cambie el accesorio como sea necesario.  
Apriete la caja de cambios firmemente.  
Inspeccione y cambie como sea necesario.

El eje no está instalado en el tren motriz o en la caja de cambios.

Inspeccione y vuelva a instalar como sea necesario.

Eje quebrado.

Consulte con su agente de servicio autorizado.

Caja de cambios dañada.

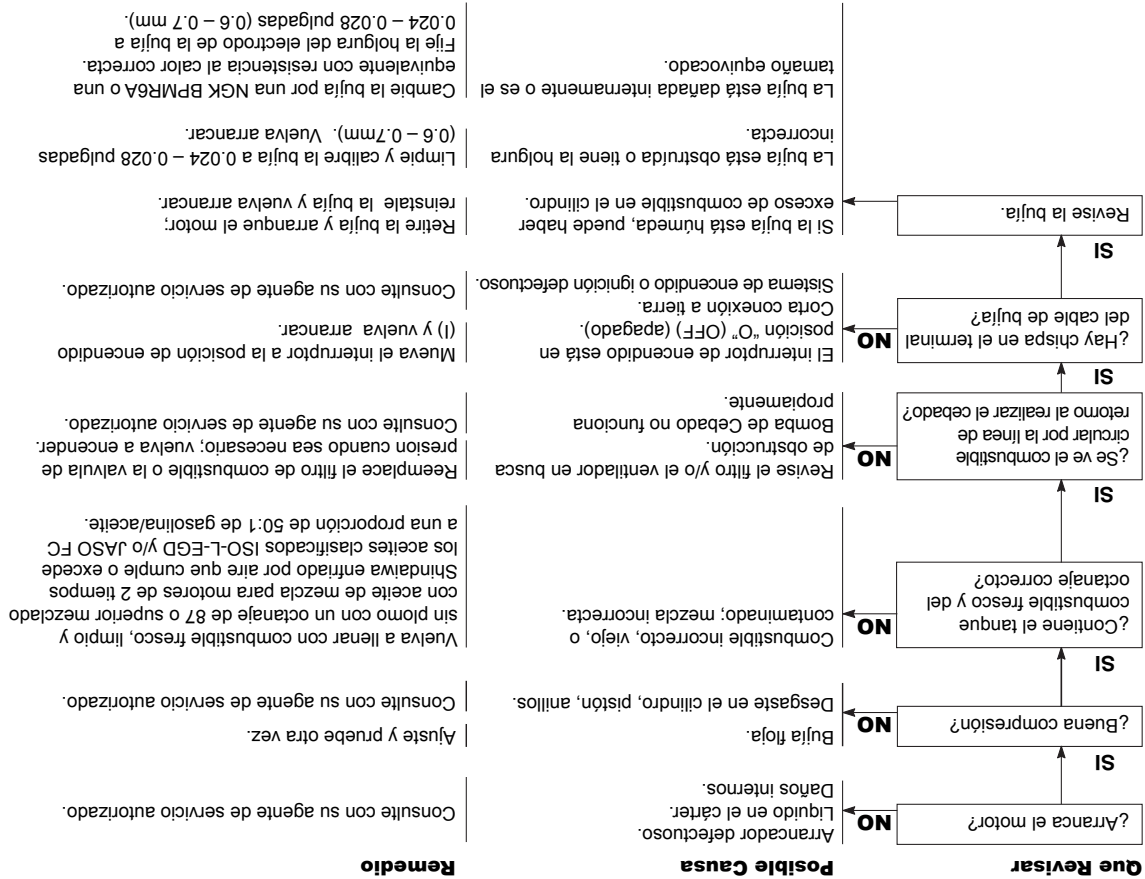
**PROBLEMAS ADICIONALES**

**Sintoma**

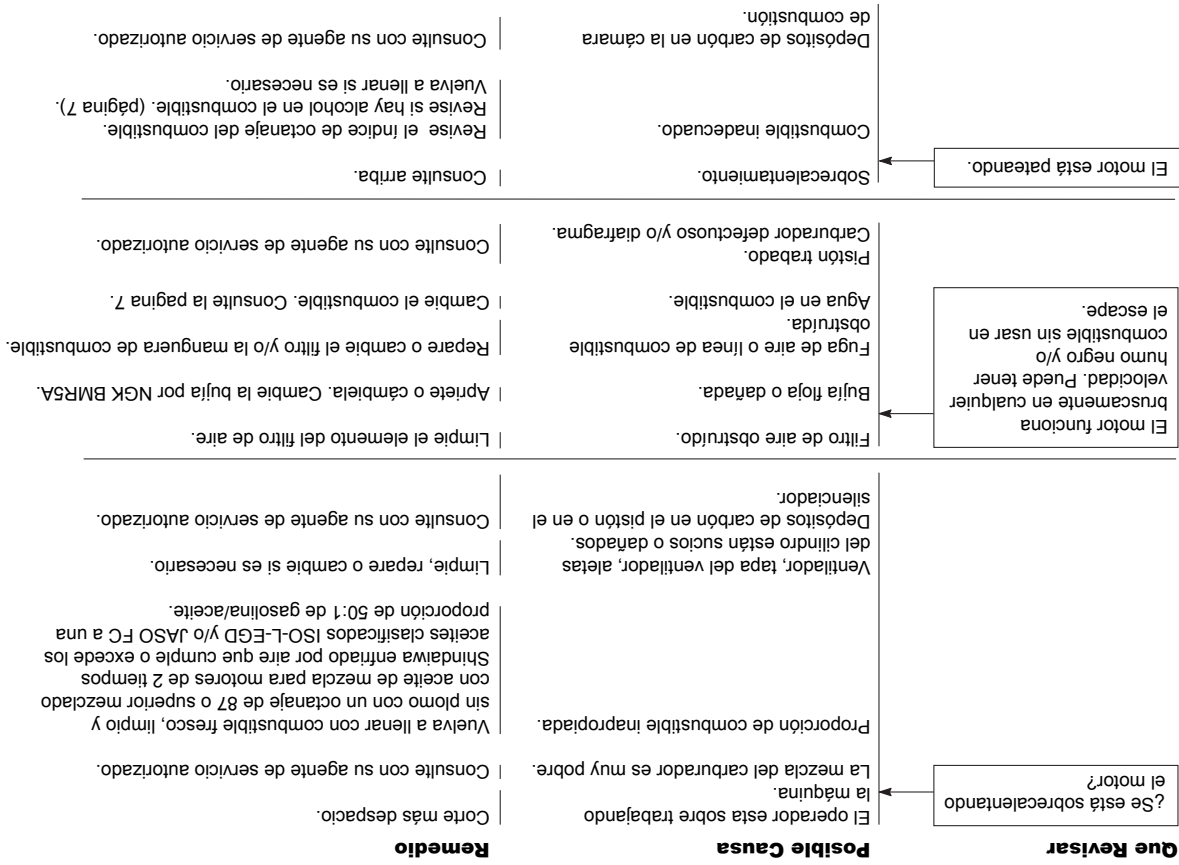
**Posible Causa**

**Remedio**

**EL MOTOR NO ARRANCA**



**BAJA POTENCIA**

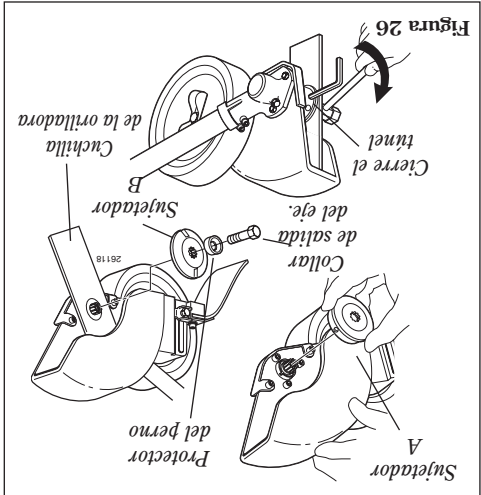


## Reemplazar la Cuchilla de la Orilladora

**¡ADVERTENCIA!**

Siempre use guantes cuando toque la cuchilla de la orilladora.

1. Alinee el hoyo del sujetador A con el hoyo correspondiente en la caja de engranajes y entonces utilice la llave inglesa asegurar temporalmente la salida del eje.
  2. Utilice la llave inglesa de la combinación para aflojar el perno del eje entonces quite el perno de salida de eje, el sujetador B y la cuchilla de la orilladora de la caja de engranaje.
3. Monte la cuchilla de la orilladora y el sujetador B en el eje, y entonces instale al seguro del perno y perno del eje (gire el perno hacia la izquierda para instalar). Vea la Figura 26.
4. Alinee el hoyo del sujetador A con el hoyo correspondiente en la caja de engranajes y entonces utilice la llave inglesa asegurar temporalmente la salida del eje. Vea la Figura 26.
  5. Utilice la llave inglesa de la combinación para apretar firmemente el perno del eje. Quite la llave inglesa. Vea la Figura 26.



## Almacenamiento de Largo Plazo

**Cada vez que la máquina no va a ser usada por 30 días o más, siga los siguientes procedimientos para preparar su almacenamiento:**

- Limpie las partes externas y aplique una capa ligera de aceite a todas las superficies metálicas.
- Drene todo combustible en el tanque.

**¡IMPORTANTE!**

Todo combustible almacenado debe estar estabilizado con un estabilizador de combustible tal como STA-BIL™, o menos que use aceite **Shell ONE** con estabilizador de combustible.

**PRECAUCIÓN!**

Gasolina almacenada en el carburador por períodos largos puede causar un arranque duro y puede conducir a un aumento en costo de servicio y mantenimiento.

1. Retire el resto del combustible en las tuberías de combustible y carburador.
2. Arranque y mantenga prendido el motor hasta que pare de funcionar.
3. Repita los pasos 1 y 2 hasta que el motor ya no arranque.

- Retire la bujía y vierta aproximadamente 1/4 de onza de aceite de mezcla para motores de 2 tiempos en el cilindro a través del agujero de la bujía. Lentamente jale el arrancador 2 ó 3 veces para que el aceite se aplique uniformemente en el interior del motor. Reinstele la bujía.
- Antes de almacenar la máquina, repare o cambie cualquier pieza dañada o gastada.
- Retire el elemento del filtro de aire y límpielo minuciosamente con agua y jabón. Deje que seque y vuelva a ensamblar el elemento.
- Almacene la máquina en un sitio limpio y libre de polvo.

## Mantenimiento Cada 50 Horas (continuación)

**PRECAUCIÓN!**  
La arandela de calce de en forma de D se debe posicionar con su orilla plana hacia el tubo del eje.

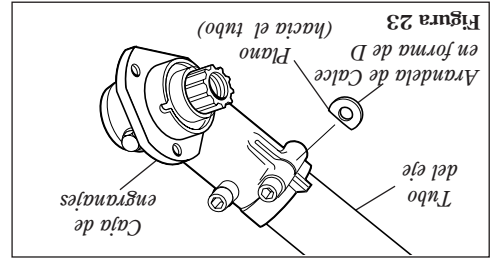


Figura 23

### Inspeccione el Protector de la Caja de Engranajes

El protector de metal de la caja de engranajes (N/P 72958-16210) es instalado para proteger el reborde de la caja de engranajes del daño al trabajar cerca de acceras u otras superficies abrasivas y se debe inspeccionar rutinariamente en caso que haya daño o el uso excesivo. Al reemplazar el protector inspeccione los protectores estén apretados firmemente y cada tornillo este asegurado en el lugar con una tuerca como se muestra.

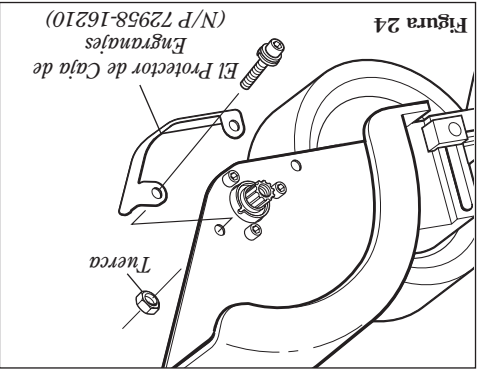


Figura 24

## Cada 135 horas Mantenimiento

Cada 135 horas de operación, retirey limpie el silenciador.

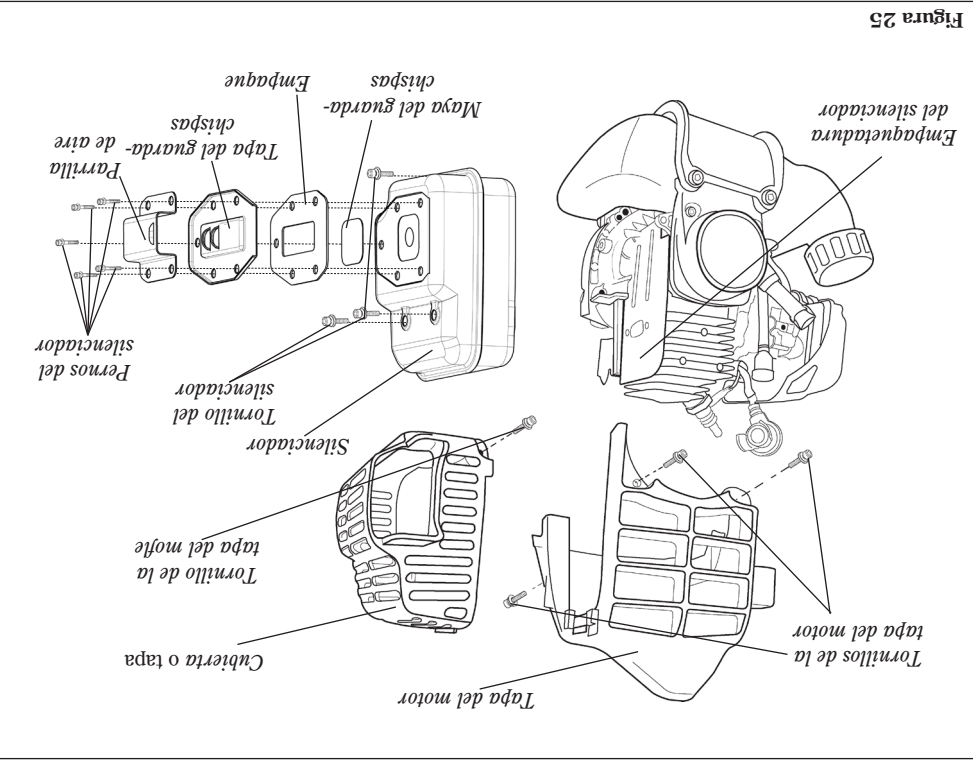
**¡ADVERTENCIA!**  
Nunca opere la máquina con un silenciador o guardachispas dañado o faltante! De lo contrario, puede ser un riesgo de incendio y podría también causar daños a sus oídos.

1. Retire el capuchón de bujía.
2. Con una llave hexagonal de 3 mm retire la cubierta del muelle en los tres tornillos de la tapa del motor y la tapa del motor. Consulte la figura 25.
3. Con un destornillador de cruz a retire los cinco tornillos sosteniendo la maya guardachispas y la tapa del silenciador. Consulte la figura 25.
4. Retire la maya y limpie con un cepillo de cerdas gruesas.
5. Con una llave hexagonal de 3 mm retire los pernos del silenciador y el silenciador. Consulte la figura 25.
6. Inspeccione el escape del cilindro en busca de acumulación de carbón.
7. Suavemente golpee el silenciador sobre una superficie de madera para deshacerse de cualquier carbón suelto.

8. Vuelva a ensamblar el guardachispas, el silenciador y la tapa del motor en forma reversa al orden de desensamblaje.

**¡IMPORTANTE!**  
Si nota acumulación excesiva de carbón, consulte con su centro de servicio o distribuidor autorizado Shindaiwa.

Figura 25





**Mantenimiento Cada 10/15 Horas**

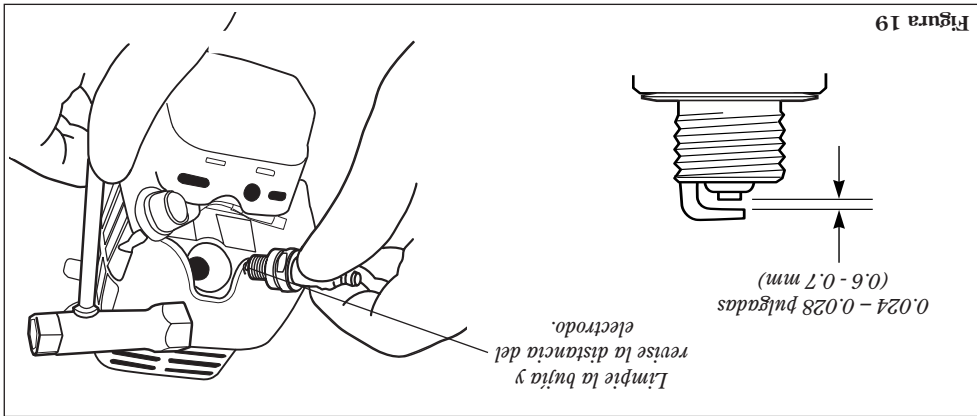


Figura 19

**PRECAUCIÓN!** Antes de retirar la bujía, limpie alrededor de la misma para evitar que entre polvo o suciedad a las partes internas del motor.

**NOTA :** La NGK BPMR6A también cumple con los requisitos de la regulación de electro mangnéticos (EMC).

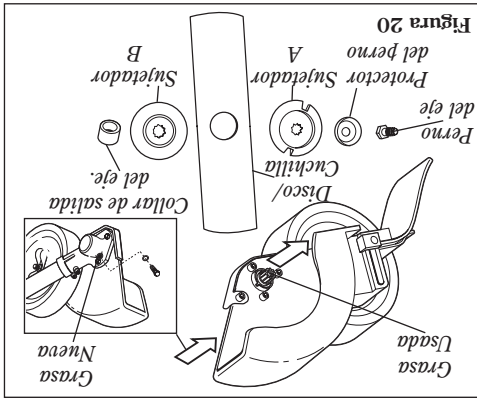
■ **Cada 10 ó 15 horas de operación:** Retire y limpie la bujía. Ajuste la distancia del electrodo a 0.024-0.028 pulgadas (0.6 - 0.7 mm). Si la bujía necesita ser reemplazada, use solamente una bujía NGK BPMR6A o una bujía equivalente con resistencia al calor correcta. Consulte la figura 19.

**Mantenimiento Cada 50 Horas**

**Cada 50 horas de operación (más frecuentemente bajo condiciones sucias o polvorientas):**

■ Retire y limpie la tapa del cilindro y limpie la maleza y la suciedad en las aletas del cilindro.

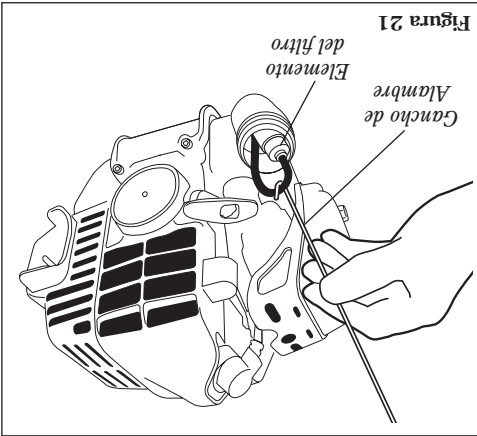
■ Retire el accesorio de corte, el soporte del accesorio de corte y el collar de la caja de engranajes. Retire la tuerca del alimentador del costado de la caja de engranajes e introduzca grasa nueva a la caja hasta que la grasa usada salga. Use solamente grasa a base de hilo, tal como grasa Shindaiwa para Caja de Engranajes o su equivalente. Consulte la figura 20.



■ Use un gancho de alambre para extraer el filtro de combustible del tanque de combustible. Consulte la figura 21.

**Precaución!** Asegure de no perforar la tubería de combustible con la punta del gancho de alambre, pues esta línea es delicada y se puede dañar fácilmente.

Retire y reemplace el elemento del filtro. Antes de reinstalar el filtro, inspeccione la condición de todo los componentes del sistema de combustible (manguera de alimentación, manguera del ventilador, tapa y tanque). Si descubre daños, quebraduras o deterioración, retire la unidad de operación hasta que pueda ser inspeccionada o reparada por un técnico de servicio entrenado por Shindaiwa.



**Lubrique el Eje Flexible**

La falta de la lubricación causará el desgaste rápido al eje flexible y también del forro del tubo del eje, teniendo como resultado un aumento en la vibración y disminución de la vida útil. Quite y lubrique el eje flexible de la siguiente manera:

1. Aloje el tornillo de abrazadera de la caja de engranajes.

2. Quite el tornillo del índice de caja de engranajes.

3. Deslice la caja de engranajes y el protector del tubo del eje.

4. Tire el eje flexible del tubo del eje, y limpie el eje detalladamente con solvente.

5. Inspeccione el eje cuidadosamente, y reemplace si esta gastado o dañado. Si el eje flexible esta gastado o necesita ser reemplazado el forro debe reemplazarse también.

6. Revista la longitud entera del eje con Lubricante de Primera de Shindaiwa (o el equivalente) para la caja de engranaje y vuelva a instalar el eje en el tubo.

7. Inserte el eje flexible al final del pinón hembra.

8. Instale la caja de engranajes en orden reverso a la extracción de la misma.

Para extender la vida del eje y el cable flexible se debe de revertir las puntas a la hora de volver a instalar.

**NOTA:**

## Mantenimiento General

### ¡IMPORTANTE!

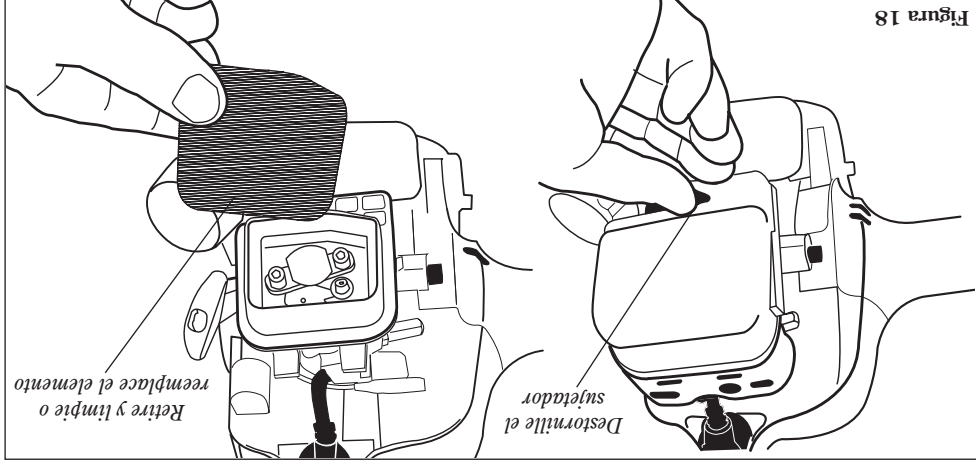
EL MANTENIMIENTO, REEMPLAZO O REPARACION DE LOS SISTEMAS Y DISPOSITIVOS DE CONTROL DE EMISION PUEDEN SER EFECTUADOS POR CUALQUIER ESTABLECIMIENTO O INDIVIDUO; SIN EMBARGO, LAS REPARACIONES DE GARANTIA DEBEN SER EFECTUADAS POR SU CENTRO DE SERVICIO O DISTRIBUIDOR AUTORIZADO POR SHINDAIWA CORP. EL USO DE PARTES QUE NO SON EQUIVALENTES EN RENDIMIENTO Y DURABILIDAD A LAS PARTES AUTORIZADAS PUEDEN AFECTAR LA EFECTIVIDAD DE SU SISTEMA DE CONTROL DE EMISION Y PUEDE INFLUENCIAR EL RESULTADO DE SU RECLAMO DE GARANTIA.

## Mantenimiento Diario

Antes de cada día de trabajo, efectúe lo siguiente:

- Retire toda suciedad y despojo del motor, revise las aletas de enfriamiento y el filtro de aire y límpielos de ser necesario.
- Cuidadosamente, retire cualquier acumulación de suciedad o despojo del silenciador y del tanque de combustible. La acumulación de suciedad en dichas áreas puede ocasionar el sobrecalentamiento del motor, inducir el gasto prematuro o crear un riesgo de incendio.
- Revise que no falten tornillos y que no estén flojos. Cerciórese de que el accesorio de corte esté firmemente asegurado.
- Revise la máquina entera en busca de goteo de combustible o grasa.

## Mantenimiento Cada 10 Horas



### Cada 10 horas de operación

(más frecuentemente bajo condiciones sucias o polvorrientas):

- Retire el elemento del filtro de aire. Consulte la figura 18. Limpie o reemplácelo como sea necesario. Para lavar el elemento: Lávelo meticulosamente con agua y jabón.

**PRECAUCIÓN!**  
No opere esta máquina si el filtro de aire está sucio, dañado o si está húmedo.

### NOTA:

El usar repuestos no estándar podría invalidar su garantía Shindaiwa.

### Silenciador

Esta máquina nunca debe ser operada con un guardachispas o silenciador defectuoso o faltante. Cerciórese de que el silenciador esté bien asegurado y en buena condición. Un silenciador usado o dañado es un riesgo de incendio y puede causar la pérdida de audición.

### Bujía

Mantenga la bujía y las conexiones de cable apretadas y limpias.

### Sujetadores

Cerciórese de que las tuercas, pernos y tornillos (a excepción de los tornillos de ajuste del carburador) estén apretados.

### ¡ADVERTENCIA!

Antes de efectuar mantenimiento, reparación o limpieza de la máquina, cerciórese de que el motor y el accesorio de corte estén completamente detenidos. Desconecte el cable de bujía antes de efectuar servicio de mantenimiento.

### ¡ADVERTENCIA!

Los repuestos no estándar pueden que no operen propiamente con su máquina y pueden causar daño y conducir a una lesión personal.

### ¡ADVERTENCIA!

■ Nunca repare un disco dañado soldándolo, enderezándolo o modificando su forma. Una vez alterado, podría quebrarse en plena operación y ocasionar lesiones personales serias.

■ Los discos de corte no son intercambiables entre las bordeadoras o desmalezadoras. El uso de cualquiera unidad con discos o accesorios no aprobados para la respectiva unidad pueden ser peligrosos y ocasionar lesiones graves.

## Utilizando el Orillador de Mano

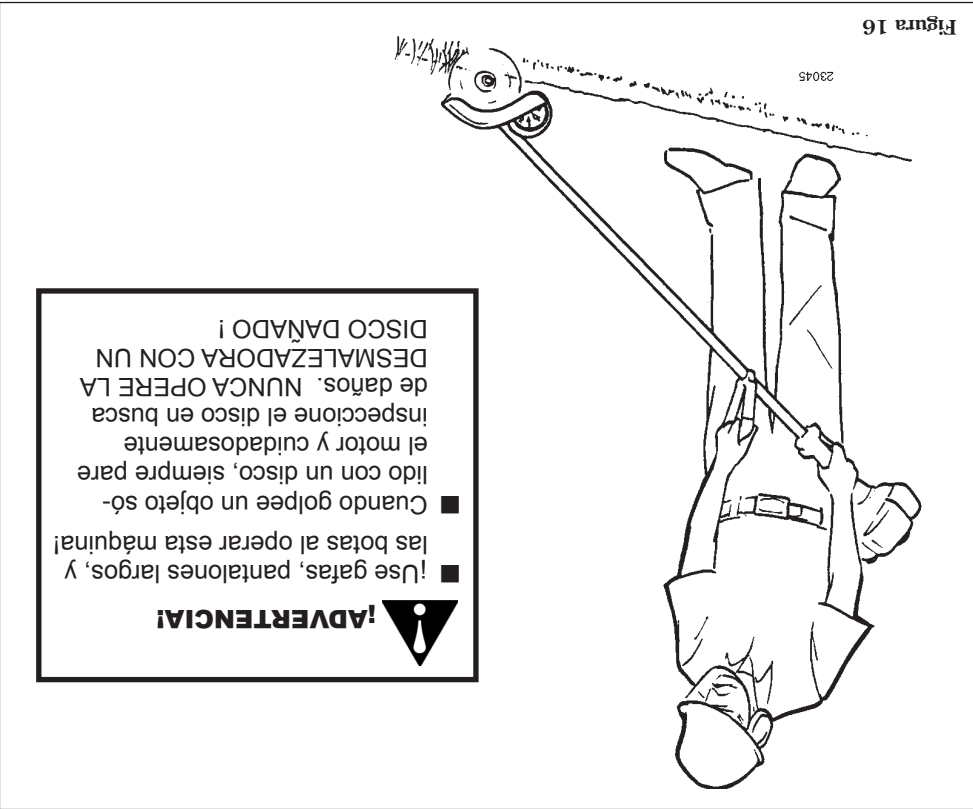
### Las pautas para Operar la orilladora

- Antes bordear, asegúrese que el área este suave porque la cuchilla podría atascarse. Si necesario, riegue el área antes de bordear.
- Quite escombros y otros obstáculos que podrían ser tirados por la cuchilla al girar.
- Planee su trabajo de tal manera la hoja de orilladora es siempre en su lado derecho.
- Empiece cada pasada posicionando la unidad sobre el trabajo y con el motor a media marcha. Baje lentamente la hoja al suelo y al mismo tiempo acelere el motor a toda marcha. Vea la Figura 16.
- No mueva la orilladora en el trabajo tan rápido que porque el motor o las hojas se podrían atascar.

### Precaución!

Operación a bajas revoluciones puede conducir a la falla prematura del embrague.

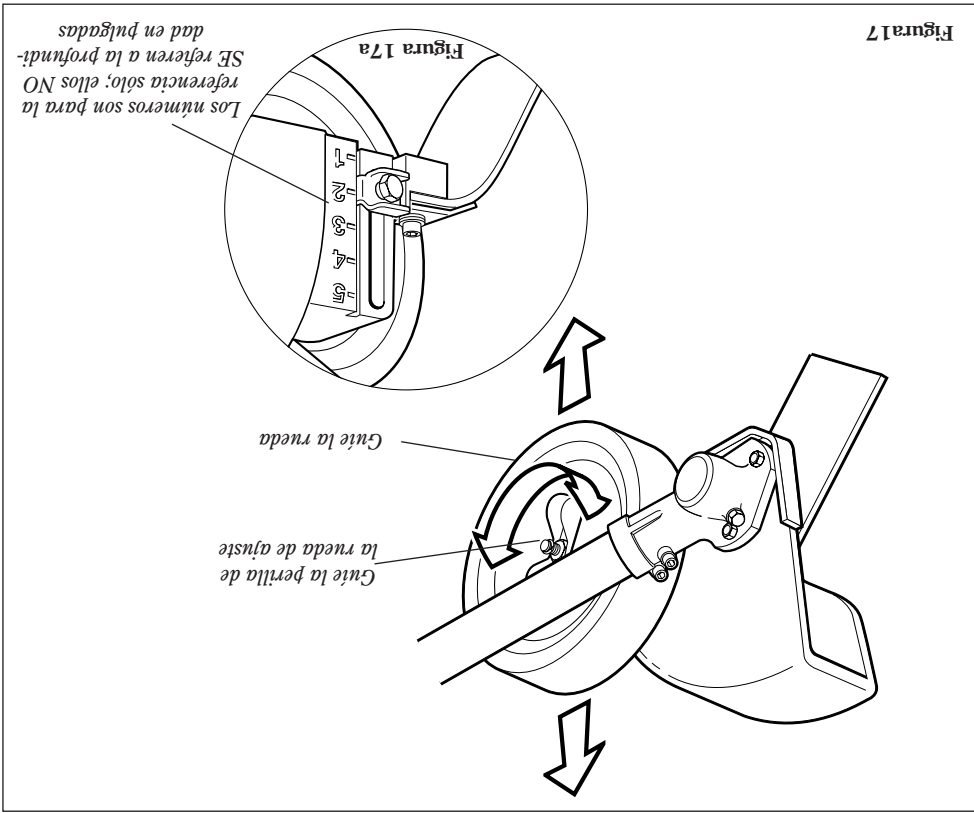
- No tire la unidad hacia atrás sobre el suelo con el motor funcionando. Eso podría enterrar la cuchilla.
- El uso regular y frecuente de la orilladora hará un césped más ordenado, y una orilla con frecuencia recortada será más fácil de mantener.



**!ADVERTENCIA!**

- Use gafas, pantalones largos, y las botas al operar esta máquina!
- Cuando golpee un objeto sólido con un disco, siempre pare el motor y cuidadosamente inspeccione el disco en busca de daños. NUNCA OPERE LA DESMALEZADORA CON UN DISCO DAÑADO!

## Ajustando la Profundidad del Corte



La profundidad del corte de la orilladora es controlada por una combinación de la altura de operario desgaste de la cuchilla y del posicionamiento de la rueda de la orilladora.

### Para ajustar la altura de cuchilla:

1. Afloje la perilla de ajuste de la rueda de guía. Vea la Figura 17.
2. Suba o baje la rueda de la guía a la altura deseada. Vea la Figura 17a.
3. Apriete la perilla de la rueda guía firmemente. Vea la Figura 17.

### !ADVERTENCIA!

Nunca ajuste la rueda de la guía mientras el motor está en marcha.

### NOTA

El ajuste de la rueda de la guía se requiere también compensar el desgaste del a cuchilla.

### !ADVERTENCIA!

Utilice sólo cuchillas para orillador de marca Shindaiwa.

### Parada del Motor

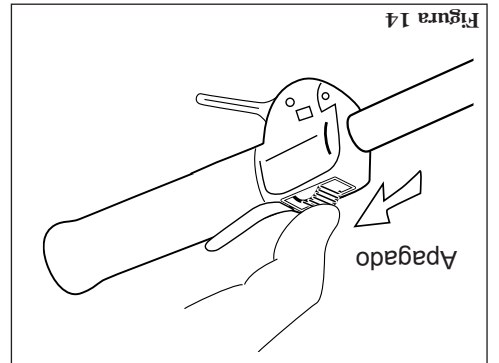


Figura 14

Ponga el motor en marcha mínima por dos o tres minutos antes de apagarlo, luego deslice el interruptor de ignición a la posición "0" (motor apagado).

### Ajuste de Marcha Mínima del Motor

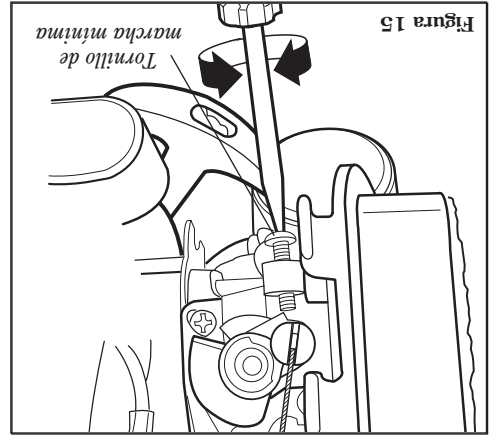


Figura 15

El motor debe retornar a marcha mínima cuando la palanca del acelerador es liberada. La marcha mínima es ajustable y debe ser suficientemente mínima para permitir que el embrague del motor libere el accesorio de corte.

#### Ajuste de marcha mínima

**!ADVERTENCIA!**  
El accesorio de corte NUNCA debe girar en marcha mínima! Si la marcha mínima no puede ser ajustada por el procedimiento descrito aquí, entronces devuelva la podadora a su distribuidor Shindaiwa para inspección.

1. Coloque la podadora en el suelo, luego encienda el motor y déjelo funcionar en marcha mínima durante 2 ó 3 minutos hasta que caliente.
2. Si el accesorio de corte gira mientras el motor está en marcha mínima, reduzca la marcha mínima, girando el tornillo de ajuste de marcha mínima en el sentido contrario a las agujas del reloj. Consulte la figura 22.
3. Si tiene un tacómetro disponible, la marcha mínima se debe ajustar a 3.000 RPM ( $\pm 250$ ) RPM (mín<sup>-1</sup>).
4. Los ajustes de mezcla de carburador son preajustados en la fábrica y no pueden ser cambiados en el campo.

### Verifique la Condición de la Unidad

NUNCA opere la unidad sin el protector del accesorio de corte o sin equipo de protección.

**!ADVERTENCIA!**  
El protector del accesorio de corte o equipo de protección no garantiza protección contra rebotes. USTED SIEMPRE DEBE PROTEGERSE DE DESPOJOS VOLANTES!

SIEMPRE cerciórese de que el accesorio de corte esté propiamente instalado y firmemente apretado antes de usar. NUNCA use un accesorio de corte rajado o doblado, reemplácelo con uno útil. SIEMPRE cerciórese de que el cabezal encaje propiamente dentro del soporte. Si reemplácelo por uno nuevo y pruebe. SIEMPRE pare el motor inmediatamente y revise en busca de daños si golpea un objeto extraño o si la unidad se enreda. No opere con equipo dañado o quebrado.

Use solamente repuestos y accesorios autorizados por Shindaiwa en su podadora Shindaiwa. No haga modificaciones a la unidad sin la aprobación escrita de Shindaiwa, Inc.

# Arranque del Motor

## ¡IMPORTANTE!

El encendido del motor está controlado por un interruptor de dos posiciones montado en el mango del acelerador indicado "I" (encendido o arranque) y "O" (apagado o pare).

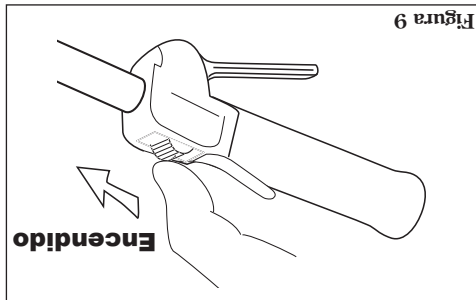


Figura 9

1. Deslice el interruptor de encendido a la posición "I" (motor ENCENDIDO).

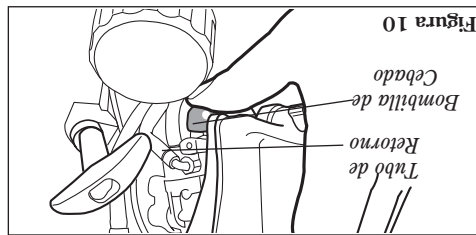


Figura 10

2. Presione la bomba de cebado hasta que vea pasar combustible por el tubo de retorno transparente.

## ¡IMPORTANTE!

La bomba de cebado solamente epuja combustible a través del carburador. Presionando repetidamente la bomba de cebado no ahogará el motor con combustible.

3. Posicione la palanca del cebador en la posición CLOSED (cerrado) si el motor está frío.

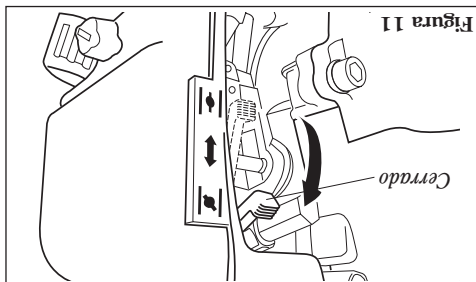


Figura 11

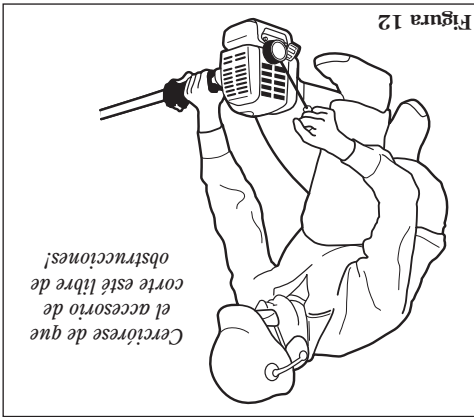


Figura 12

4. Mientras sostiene el tubo exterior firme-mente con una mano, jale despacio la cuerda del arrancador recular hasta que sienta resistencia, luego jale rápidam-ente para arrancar el motor.

## PRECAUCIÓN!

No jale el arrancador recular hasta el final de la cuerda. De lo contrario, puede dañar el arrancador.

## ¡ADVERTENCIA!

El accesorio de corte pueda que gire cuando encienda el motor!

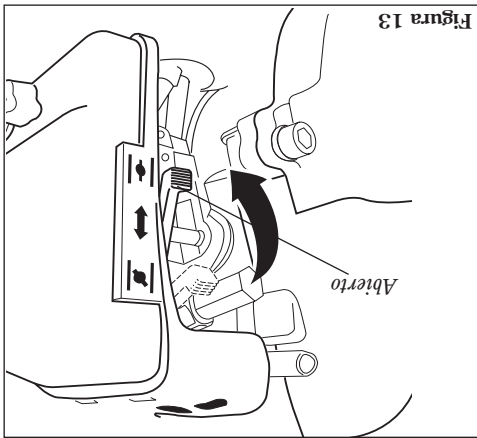


Figura 13

5. Cuando arranque el motor, mueva despacio la palanca del cebador a la posición "OPEN" (abierto). Consulte la figura 16. (Si el motor para después del arranque inicial, cierre la palanca del cebador y vuelva arrancar).

## Cuando arranca el motor...

- Después de que arranque el motor, permita que caliente en marcha mínima por 2 ó 3 minutos antes de usar la máquina.
- Adelantando el acelerador hace que el accesorio de corte gire más rápido; liberando el acelerador permite que el accesorio pare de girar. Si el accesorio de corte continua girando cuando el motor regresa a marcha mínima, la velocidad mínima del carburador debe ser ajustada. (Consulte "Ajuste de Marcha Mínima" a continuación).

## ¡IMPORTANTE!

Nunca arranque el motor desde la posición de operación.



**Ejemplos de cantidades de mezcla a proporción de 50:1**

- 1 galón de gasolina por 2.6 onzas de aceite de mezclar.
- 5 litros de gasolina por 100 ml de aceite de mezclar.

**¡IMPORTANTE!**

Mézcle solamente el combustible necesario para uso inmediato! De ser necesario almacene el combustible por más de 30 días, y si no se está usando aceite **ONE** con estabilizador de combustible, entonces el combustible debe ser tratado primero con un estabilizador como por ejemplo STA-BIL™.

El Aceite **ONE** es un aceite registrado de JASO FC clasificado y también cumple o excede los requisitos de rendimiento de ISO-L-EGD. Shindaiwa One es recomendado para el uso en todo los motores Shindaiwa de baja emisión. Shindaiwa One también incluye el estabilizador de combustible.

1. Posicione la maquina sobre una superficie plana y nivelada.
2. Retire cualquier suciedad o desposos alrededor de la tapa de combustible.
3. Retire la tapa de combustible y llene el tanque con combustible fresco y limpio.
4. Reinstale la tapa de combustible y apriete firmemente.

**Mezcla de Combustible**

**¡PRECAUCIÓN!**

Algunas gasolinas contienen alcohol como un oxigenante. Combustibles oxigenados pueden aumentar la temperatura del motor durante su funcionamiento. Bajo ciertas condiciones, combustible con alcohol puede reducir la calidad lubricante de algunos aceites de mezcla. Nunca use ningún combustible que contenga más de 10% de alcohol por volumen! Aceites genéricos y algunos aceites para motores fuera de borda pueden no sean para el uso en motores de dos ciclos de alto rendimiento, y no deben ser usados en su motor Shindaiwa!

**¡PRECAUCIÓN!**

Este motor está diseñado solamente para funcionar con una mezcla de 50:1 de gasolina sin plomo y aceite de mezclar para motores de 2 tiempos. ISO-L-EGD o JASO FC. El uso de aceites de mezclar no autorizados puede conducir a excesos de depósitos de carbón.

- Use solamente gasolina fresca, limpia y sin plomo, con índice de octanaje de 87 o superior.
- Mezcle todo el combustible con aceite de mezclar para motores de 2 tiempos entrados por aire que cumpla o exceda aceites clasificados ISO-L-EDG y/o JASO FC a proporción de 50:1 gasolina/aceite.

**Llenando el Tanque de Combustible**



**¡ADVERTENCIA!**

- Pare el motor antes de volver a llenar el tanque.
- Siempre deje enfriar el motor antes de volver a llenar el tanque!
- Limpie todo derrame de combustible y aleje el motor por lo menos 10 pies (3 metros) del depósito de combustible antes de volver a prender el motor!
- Nunca comience u opere esta maquina si existe una pérdida de combustible.

- Nunca encienda u opere esta maquina si el carburador, líneas de combustible y/o tapa de tanque o tanque de combustible se encuentran dañados.
- Nunca fume o encienda fuegos cerca del motor o del combustible!
- Nunca coloque material inflamable cerca del silenciador del motor!
- Nunca opere el motor sin antes comprobar que el silenciador y el guardachispas estén funcionando adecuadamente.

## Ensamblaje y Ajustes

### Instalación de la Caja de Engranaje

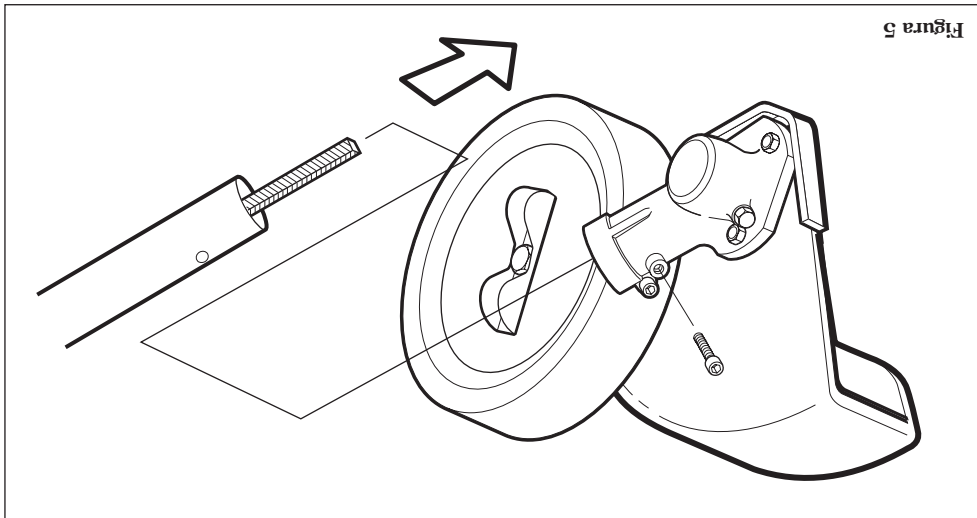


Figura 5

1. Afloje el tornillo de abrazadera de la caja de engranaje.
  2. Quite el tornillo del índice de la caja de engranaje.
  3. Deslice el eje de engranajes como se muestra en la Figura 5 asegurándose que el eje de impulsión este conectado con la caja de engranaje.
- NOTE:** Puede que sea necesario sacar el cable flexible del tubo de eje, conéctelo con la caja de engranaje y después deslice el ensamblaje en el tubo del eje.
4. Vuelva a instalar el tornillo del índice y apriete hasta asegurarlo.
  5. Apriete el tornillo de la abrazadera a una torsión de 52 – 69 libras por pulgada.

### Ajuste la Holgura del Acelerador

La holgura del gatillo debe ser aproximadamente de 3/16-1/4 pulgadas (4.6 mm). Consulte la figura 6. Cerciórese que el gatillo de aceleración opere suavemente sin trabarse. Si es necesario ajustar la holgura, siga los procedimientos e ilustraciones a continuación.

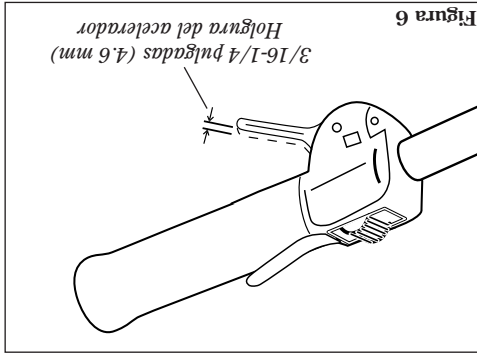


Figura 6

1. Afloje el botón de la tapa del filtro de aire y retire la tapa del filtro de aire. Consulte la figura 7.
2. Afloje la tuerca de seguridad en el cable ajustador. Consulte la figura 8.

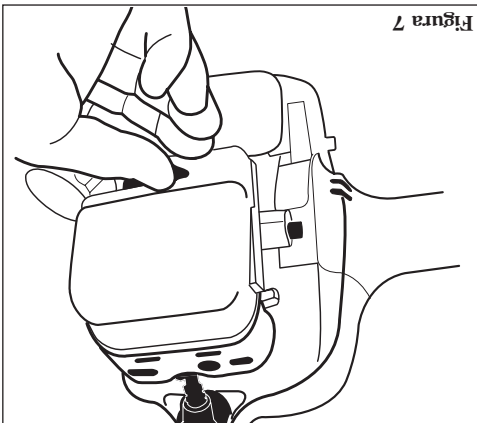


Figura 7

3. Gire el cable ajustador hacia dentro o fuera como sea requerido para obtener la holgura apropiada 3/16-1/4 pulgadas (4.6 mm). Consulte la figura 8.
  4. Apriete las tuercas de seguridad.
- 

Figura 8

5. Reinstale la tapa del filtro de aire.

## Descripción del Producto

Use las ilustraciones como guía, familiarícese con esta unidad y sus varios componentes. Consulte la figura 4. Conociendo la unidad le ayudará a obtener alto rendimiento, vida útil más prolongada y operación con seguridad.

### ¡ADVERTENCIA!

No haga modificaciones o alteraciones no autorizadas a ninguna de estas máquinas ni a sus componentes.

### ¡IMPORTANTE!

Los términos "izquierda", "mano izquierda-erda", y "LH"; "derecha", "mano derecha", y "RH", "delantera" y "trasera", indican direcciones desde el punto de vista del operador durante la operación normal de este producto.

### Antes de Ensamblar

- Antes de ensamblar, cerciórese de que tenga todos los componentes necesarios para armar una máquina completa:
- Ensamblaje del motor con el tubo y el mango.
- Caja de engranaje y protector de desechos completa.

- Kit con soporte y herramienta para montar la empuñadura, manual del usuario o propietario y caja de herramientas para el mantenimiento rutinario. Las cajas de herramientas son diferentes entre un modelo y otro. Pueden incorporar una llave allen, una llave combinada para bujías y destornillador, y un raspador.

Inspeccione la unidad y componentes en busca de daños.

## Especificaciones

LE242 Peso sin Combustible (Accesorios incluidos) .....	12.8 libras/5.8 kg
Modelo de Motor.....	S242E con recámara de impulso
Tipo de Motor.....	Diámetro x Carrera.....1,3 x 1,1 in./33 x 28 mm
Cilindrada.....	1.0 pulg. Cúbicas/ 23,9 cc
Potencia Máxima.....	1.0 HP/0,8 kW @ 8000 rpm (min <sup>-1</sup> )
Combustible/Aceite.....	50:1 con ISO-L-ECD o JASO FC aceite de mezcla de motor 2 tiempos
Tipo de Carburador.....	Walbro WYK, tipo diafragma
Capacidad del Tanque de Combustible.....	22,3 oz./670 ml
Sistema de Encendido.....	Transistor controlado por una pieza electrónica.
Especificaciones sujetas a cambios sin previo aviso.	

Bujía.....NGK BPMR6A

Filtro de Aire.....Elemento del filtro de espuma no reversible

Método de Arranque.....Recular

Método de Parada.....Interruptor

Tipo de Transmisión.....Automática, embrague centrífugo con engranajes helicoidales

Periodo de Cumplimiento con Regulaciones de Emisiones EPA\*.....Categoría A



\* Cumple o excede estas especificaciones y es recomendada para todo los productos de Shindaiwa.

\*\* The EPA emission compliance referred to on the emission compliance label located on the engine, indicates the number of operating hours for which the engine has been shown to meet Federal emission requirements. Category C = 50 hours (Moderate), B = 125 hours (Intermediate) and A = 300 hours (Extended).



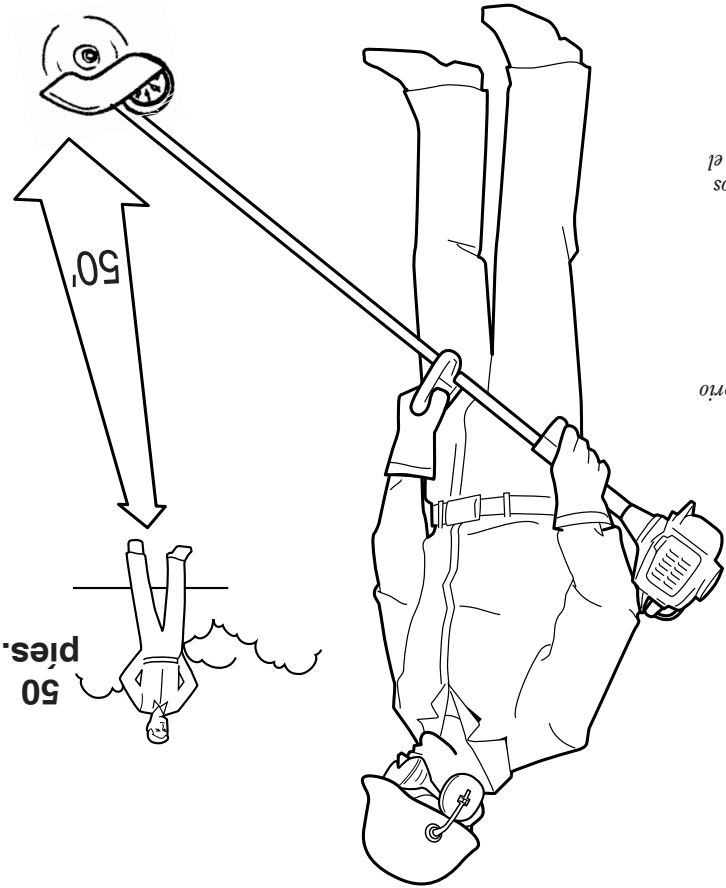
# Esté Alerta del Area de Trabajo

Evite trabajar durante largo tiempo bajo temperaturas muy calientes o muy frías.

Tenga mucho cuidado al trabajar sobre terrenos resbalosos, especialmente en tiempo de lluvia.

Si hace contacto con un objeto sólido, detenga el motor e inspeccione el accesorio de corte en busca de daños.

Esté constantemente alerta de los objetos y despojos que puedan ser lanzados por el accesorio de corte o rebotados.



Cerciórese de que los transeúntes u observadores estén fuera de la "zona de peligro" de 50 pies usen protección de ojos.

Reduzca el riesgo de que algún transeúnte sea golpeado por un objeto volante. Asegúrese de que nadie esté dentro de 50 pies (15 metros) de distancia de un accesorio en operación. Esto es aproximadamente 16 pasos.

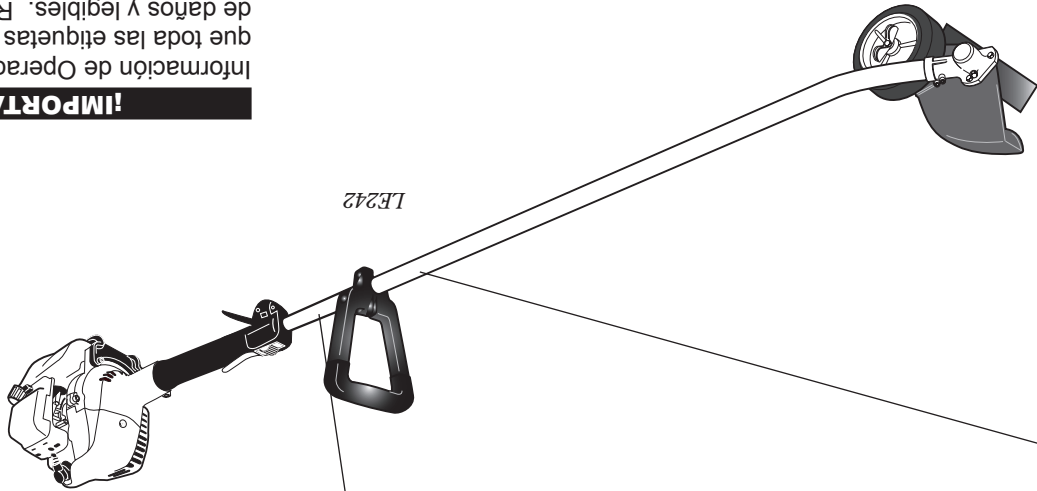
Cuando trabaje en un terreno rocoso o cerca de cables o cercas eléctricas, use extremo cuidado y evite tocarlos con el accesorio de corte.

Siempre cerciórese de que el protector del accesorio de corte esté correctamente instalado.

# Etiquetas de Seguridad



Esta etiqueta indica la distancia mínima entre el mango delantero y el mango trasero.



Información de Operación: Asegúrese que toda las etiquetas estén libres de daños y legibles. Reemplace inmediatamente etiquetas dañadas o faltantes. Etiquetas nuevas están disponibles en su centro de servicio local autorizado de Shindaiwa.

**¡IMPORTANTE!**

Figura 3

Figura 2

# Instrucciones Generales de Seguridad



Use Buen Juicio

**SIEMPRE** use protección para los ojos como escudo contra objetos lanzados.

**NUNCA** opere el motor cuando trans-

porte la unidad.

**NUNCA** opere la unidad en el interior!

Cerciórese que siempre haya buena

ventilación. El humo o gases del

escape del motor pueden causar serias

lesiones o la muerte.

**SIEMPRE** mantenga su área de

trabajo libre de basura u objetos que

pueden rebotar contra usted o contra

transentes.

**SIEMPRE** use el accesorio de corte

apropiado.

**SIEMPRE** pare el motor inmediata-

mente si repentinamente empieza a

vibrar. Inspeccione el accesorio de

corte por partes quebradas, faltantes o

instaladas incorrectamente.

**NUNCA** extienda el cable de nylon

más allá de lo especificado para su

máquina.

**SIEMPRE** mantenga la máquina lo

más limpia posible. Manténgala libre

de vegetación, barro, etc.

**SIEMPRE** sujete la máquina firme-

mente con ambas manos cuando corte

o recorte, y mantenga el control en

todo momento.

**SIEMPRE** mantenga los mangos

limpios.

**SIEMPRE** desconecte el cable de bujía

antes de hacer mantenimiento a la

máquina.

# El Operario Debidamente Equipado

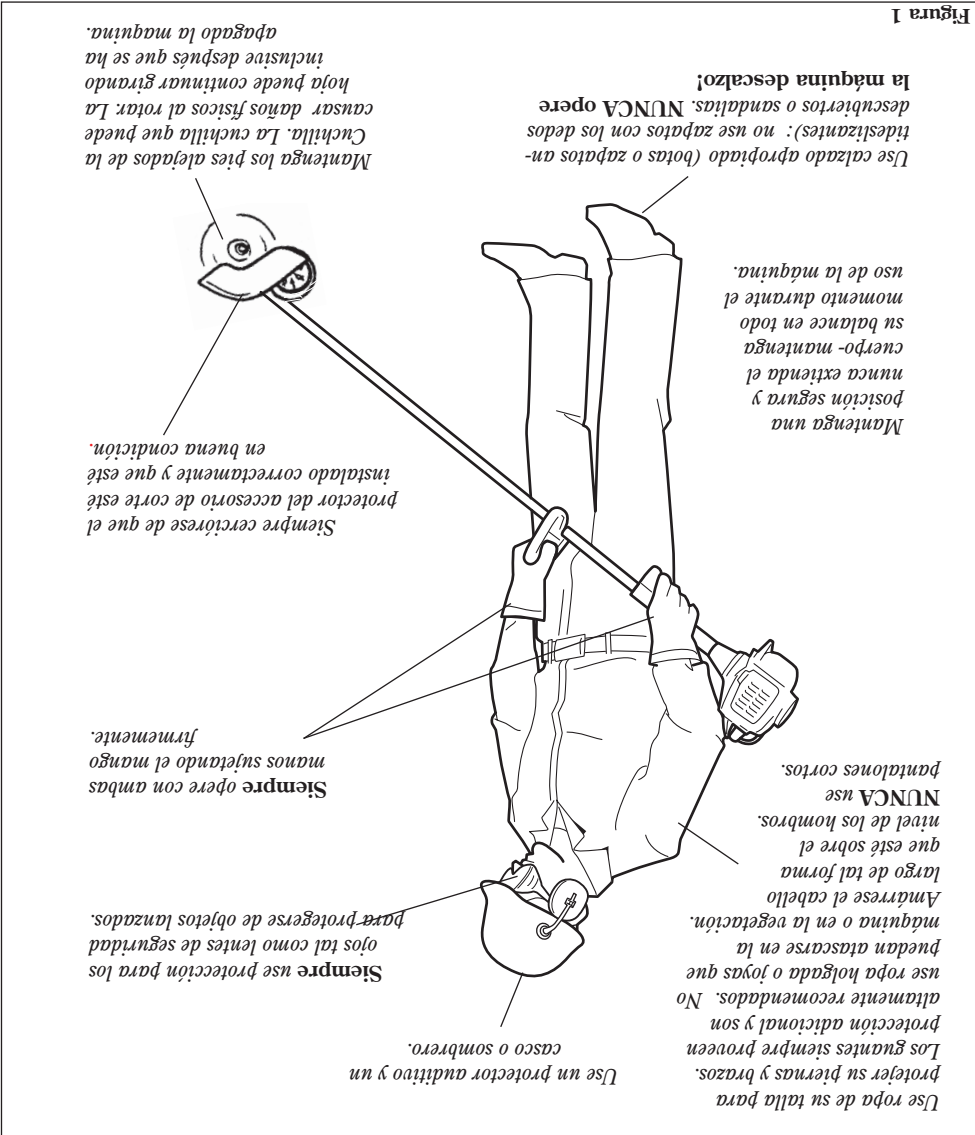


Figura 1

# Introducción

La desmalezadora Shindaiwa Serie 242 ha sido diseñada y construida para suministrar un rendimiento superior sin comprometer calidad, comodidad ni durabilidad. Los motores Shindaiwa representan la tecnología líder de motores de alto rendimiento, de poco peso y pequeña cilindrada con excepcional alta potencia. Como propietario/operario, usted no tardará en comprobar que Shindaiwa es la única máquina en esta clase!

**¡IMPORTANTE!** La información contenida en este manual describe unidades disponibles a la fecha de su publicación.

Shindaiwa Inc. se reserva el derecho de realizar cambios a sus productos sin previo aviso, y sin la obligación de hacer modificaciones a máquinas fabricadas previamente.

# Contenido

PÁGINA

- Declaraciones de seguridad..... 2
- Instrucciones Generales de Seguridad..... 2
- Etiquetas de Seguridad ..... 4
- Descripción del Producto..... 5
- Especificaciones..... 5
- Ensamblaje y Ajustes..... 6
- Mezcla de Combustible..... 7
- Arranque del Motor..... 8
- Parada del Motor..... 9
- Ajuste de Marcha Mínima del Motor..... 9
- Verificación de la Condición de la Unidad..... 9
- Utilizando el Orillador de Mano ..... 10
- Ajustando la Profundidad del Corte..... 10
- Mantenimiento General..... 11
- Reemplazar la Cuchilla de la Orilladora..... 14
- Almacenamiento de Largo Plazo..... 14
- Guía diagnóstico..... 15
- Garantía del sistema de emisiones..... 17

# Declaraciones de Seguridad

*A través de este manual se encuentran "declaraciones de seguridad" especiales.*

# Instrucciones Generales de Seguridad

**Trabaje con cuidado**  
Podadoras Shindaiwa operan a velocidades altas y pueden causar daños o lesiones serias si son mal usadas o abusadas. Nunca permita que una persona sin entrenamiento o instrucción opere esta unidad!

**¡ADVERTENCIA!**  
Nunca instale accesorios no autorizados. No use accesorios no aprobados por Shindaiwa en esta unidad.

**¡ADVERTENCIA!**  
Nunca opere ninguna maquinaria motorizada si está cansado o si está bajo la influencia de alcohol, drogas o medicamentos o cualquier otra sustancia que pueda afectar su habilidad y juicio.

**¡ADVERTENCIA!**  
Las emisiones emitidas por el tubo de escape de este producto contienen sustancias químicas que en el estado de California son consideradas como causantes de cáncer, defectos congénitos u otros efectos nocivos a la reproducción humana.

**¡ADVERTENCIA!**  
Disminuya El Riesgo de Incendios  
NUNCA fume ni encienda fuegos cerca del motor.  
SIEMPRE pare el motor y permita que se enfríe antes de volver a llenar el tanque. Evite sobre llenar el tanque y limpie cualquier derrame de combustible. SIEMPRE: Inspeccione la máquina por pérdidas de combustible, antes de cada uso. Durante cada llenado, verifique posibles pérdidas alrededor de la tapa o tanque de combustible. Si existen pérdidas de combustible evidentes, pare inmediatamente el motor. Repáralas antes de cada uso.  
SIEMPRE aje la máquina del área de combustible o de otros materiales inflamables antes de arrancar el motor. NUNCA coloque materiales inflamables cerca del silenciador de la máquina.  
NUNCA opere el motor sin la malla del guardachispas en su lugar.



Lea y siga las recomendaciones de este manual del operario. De no hacerlo podrá resultar en lesiones graves.



Use protección para los ojos y protección para los oídos en todo momento que este operando esta máquina.



Mantenga a los transeúntes a una distancia mínima de 15 metros (50 pies) mientras la máquina este en operación.



Manténgase alerta por objetos lanzados o rebotes.




Mantenga los pies lejos de la hoja. La hoja puede continuar girar después que la unidad se apaga.

## ¡IMPORTANTE!

El propósito de los procedimientos operacionales descritos en este manual es ayudarle a obtener el más alto rendimiento de su máquina y proteger a usted y a otras personas de sufrir lesiones. Estos procedimientos son pautas operativas para una operación segura bajo la mayoría de condiciones y no tienen el propósito de sustituir las normas y/o leyes vigentes en su área.

Si tiene alguna pregunta relacionada con su Serie 242 o si no entiende alguna información contenida en este manual, consulte a su distribuidor Shindaiwa, quien le atenderá con gusto. También puede comunicarse con Shindaiwa Inc. a la dirección que aparece en la contraportada de este manual.

# shindaiwa

**!ADVERTENCIA!**  Disminuya el riesgo de sufrir lesiones o causar lesiones a otros! Lea este manual y familiarícese con su contenido. Siempre use protección para los ojos y oídos cuando opere esta máquina.



## ORILLADORA DE GRAMA LE242

MANUAL DEL PROPIETARIO/OPERADOR SHINDAIWA
